



**CASTER  
CONNECTION**  
KEEPING BUSINESS IN MOTION®

**CC PRODUCT  
CATALOG V2**



[WWW.CASTERCONNECTION.COM](http://WWW.CASTERCONNECTION.COM)



# TABLE OF CONTENTS

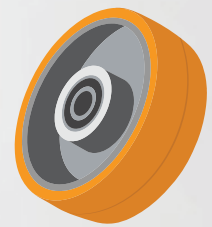
Section	Topic	Page #
About Caster Connection	About Caster Connection	4-5
CC Polyurethane	CC Polyurethane Overview	6
CC Apex	CC Apex Overview	7
	CC Apex 2" Wide Wheels	8
	CC Apex 2" Wide Casters	9-10
	CC Apex 1-1/4" Wide Wheels	11
	CC Apex 1-1/4" Wide Casters	12
CC Apex ESD	CC Apex ESD Overview	13
	CC Apex ESD 2" Wide Wheels	14
	CC Apex ESD 2" Wide Casters	15-16
	CC Apex ESD 1-1/4" Wide Wheels	17
	CC Apex ESD 1-1/4" Wide Casters	18
CC Stout	CC Stout Overview	19
	CC Stout 2" Wide Wheels	20
	CC Stout 2" Wide Casters	21
	CC Stout HD 2" Wide Wheels	22
	CC Stout HD 2" Wide Casters	23
	CC Stout 3" Wide Wheels	24
	CC Stout 3" Wide Casters	25
	CC Stout AL 3" Wide Wheels	26
	CC Stout AL 3" Wide Casters	27
CC Nylex	CC Nylex Overview	28
	CC Nylex 2" Wide Wheels	29
	CC Nylex 2" Wide Casters	30-31
CC Crest	CC Crest Kingpin Rigs/Forks Overview	32



**CC APEX**  
THE APEX OF INNOVATION.



**CC APEX ESD**  
THE APEX OF INNOVATION.



**CC STOUT**  
Confidence. Control. Stout.



**CC NYLEX**  
Confidence. Control. Nylex.



Section	Topic	Page #
CC Alpha	CC Alpha Kingpinless Rigs/Forks Overview	33
CC Peak	CC Peak EMF Maintenance-Free Rigs/Forks Overview CC Peak Heavy Duty Maintenance-Free Rigs/Forks Overview	34 35
CC Armor	CC Armor Rigs/Forks Overview	36
CC Axis	CC Axis Rigs/Forks Overview	37
Top Plates and Stems	Top Plates and Stems	38
CC Brakes	CC Brake Types Overview	39
CC Vintage	CC Vintage Overview CC Vintage 1-1/4" Wide Cast Iron Wheels CC Vintage 2" Wide Cast Iron Wheels CC Vintage 1-1/4" Wide CC Vintage Polyurethane on Cast Iron Wheels CC Vintage 2" Wide CC Vintage Rubber Tread Wheel CC Vintage 1-1/4" Wide CC Vintage Cast Iron Casters CC Vintage 2" Wide Cast Iron Casters CC Vintage 1-1/4" Wide CC Vintage Polyurethane on Iron Casters CC Vintage 2" Wide Rubber Tread Casters	40-41 42 43 44 45 46 47 48 49



# ABOUT CASTER CONNECTION



Caster Connection - manufacturer of casters and wheels, and master distributor of elite brand casters, wheels, and other material handling products - was launched by Sally Hughes out of the trunk of her car in 1987 in Chardon, Ohio with this founding principle: "Our Company will work to constantly seek ways to increase the value our clients receive for their investments in casters and wheels and provide solutions that make them successful."

In describing her philosophy of the client business relationship, Sally explains that "I truly believe that clients deserve exceptional service, great products, fair prices, and product availability. That is why Caster Connection is persistent in our efforts to strive for continuous improvement in these most important aspects of our business."

Over three decades after its launch, Caster Connection sources products globally, and fosters great relationships with thousands of global clients by offering them peace of mind with our mobility solutions.

The confidence that we offer our clients, our partnerships with the most admired brands, a prime distribution location, an expert solutions staff, and the innovative line of ergonomic CC Apex wheels are all factors that have contributed to the success and growth of Caster Connection.

Partnerships with major caster brands enable us to serve clients in a wide variety of industries. These long-standing relationships give Caster Connection access to a wide breadth of proven and reliable market applications, industry knowledge, and testing capabilities to further ensure that we are providing the absolute best product for a specific application.



# CASTER CONNECTION

KEEPING BUSINESSES

**Caster Connection, Inc.**  
2380 International Street  
Columbus, Ohio 43228  
Phone: 800.544.8978  
Fax: 888.852.7202



Moving our main distribution center to Columbus, Ohio in 2009 gave Caster Connection a prime location to deliver product to a wide range of clients in an economically responsible manner. Columbus has direct access to the most highly traveled highway systems in the United States, ensuring prompt product delivery.

Our expert solutions staff has more than a century of combined experience in the caster and material handling industry, making Caster Connection a prime source for help and advice regarding all caster and material-handling needs. We work with our clients to understand their needs for every application and provide the correct solution the first time, providing the proof our clients need to feel confident in our recommendations.

Our number one goal is to ensure that our clients are successful as a result our partnership. This goal, and the strengths mentioned above make Caster Connection an industry leader, as well as a company that clients can trust and gain peace of mind from for their caster and wheel needs.

#### **Mission Statement**

Caster Connection is dedicated to developing the most innovative and optimal solutions in order to deliver enhanced ergonomics, safety, and efficiency for every partner.

# CC POLYURETHANE

## Full of Energy

Caster Connection's high-quality **CC polyurethane** stores and exudes energy unlike any other polyurethane wheel tread on the market. When force is exerted (by gravity, debris, pushing, or pulling) on the CC polyurethane wheel tread, potential energy is built up and then rapidly released as kinetic energy during movement. The polyurethane's unique composition assists in propelling the wheel, boosting pushing and pulling both before and during movement, making wheels with CC polyurethane **an excellent ergonomic choice**.

## A Sound Wheel

CC polyurethane embodies a unique mix of resiliency and durability, allowing the wheel to put out low decibel levels during movement. The polyurethane's quiet\* performance positions it as an excellent option for users that have low-noise initiatives, such as those in the healthcare and manufacturing industries.

\*CC polyurethane wheel tread is soft enough to absorb noise-causing vibration during rolling, but hard enough to not squeak while in motion.

## Effortlessly Dispel Debris

The CC polyurethane's durometer (level of hardness) and resiliency are made specifically for environments where debris is present, meaning weld slag, metal chips and other debris don't stand a chance. The high-quality polyurethane tread of the wheel dispels debris no matter what - even during continuous movement. Because of its perfect formulation, CC polyurethane **does not** pick up debris, protecting your flooring, and saving you from downtime.

## Holds Its Own

The CC polyurethane's durometer (level of hardness) and resiliency are made specifically for environments where debris is present, meaning weld slag, metal chips and other debris don't stand a chance. The high-quality polyurethane tread of the wheel dispels debris no matter what - even during continuous movement. Because of its perfect formulation, CC polyurethane does not pick up debris, protecting your flooring, and saving you from downtime.

CC polyurethane is used in CC Apex, CC Apex ESD, and CC Stout wheels.

## Ergonomically Efficient

You won't find a wheel which offers same the combination of ergonomic benefits as those of the **CC Apex** or **CC Stout**. The mixture of perfect tread durometer, resiliency, and weight capacity give these wheels the ability to roll and maneuver with ease.

# CC APEX CASTERS & WHEELS



We at Caster Connection have long prided ourselves on our ability to understand our clients' needs and to develop and recommend the best solutions for them. Originally developed for an elite automotive manufacturer, our line of **2" wide CC Apex** casters and wheels have long been recognized as the gold standard for many industries and applications.



Our CC Apex line evolved to include **1-1/4" wide** treads to better serve medical environments and other industries. This allows users of 1-1/4" wide casters to experience the same amazing benefits that the original 2" wide CC Apex has offered for years.

The CC Apex is an innovation in the caster industry. Caster Connection developed the CC Apex line of wheels in response to a top manufacturing client's need for a strong, quiet, ergonomic caster wheel that can meet the demands of any environment.



The CC Apex is an innovation in the caster industry. Caster Connection developed the CC Apex line of wheels in response to a top manufacturing client's need for a strong, quiet, ergonomic caster wheel that can meet the demands of any environment.

The high quality polyurethane wheel:

- Dramatically **improves ergonomics** by **reducing push/pull force**
- Handles **higher load requirements** than comparable products
- Requires **less maintenance** and protects floors
- Capably **grips flooring in towline applications**
- Offers very **low decibel output**
- Capably **grips flooring in towline applications**
- Performs well in a **wide variety of industries**

The CC Apex embodies all of the characteristics that are critical to a high performance, versatile wheel which provides a solution for most applications.



# PRODUCT SPECS

## 2" WIDE CC APEX WHEEL CHARTS



### CC Apex 4" x 2" Wheel

Part #	Description	Diameter	Tread Width	Capacity
CCAPEX-4-1/2	4 X 2 WHEEL W/ TOP HATS	4"	2"	700 LBS.

### CC Apex 5" x 2" Wheel

Part #	Description	Diameter	Tread Width	Capacity
CCAPEX-5-1/2	5 X 2 WHEEL W/ TOP HATS	5"	2"	800 LBS.

### CC Apex 6" x 2" Wheel

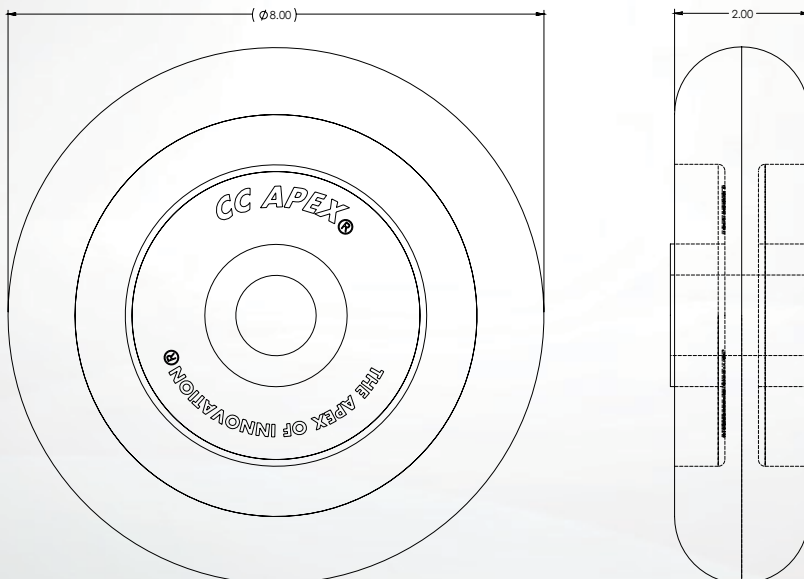
Part #	Description	Diameter	Tread Width	Capacity
CCAPEX-6-1/2	6 X 2 WHEEL W/ TOP HATS	6"	2"	1000 LBS.

### CC Apex 8" x 2" Wheel

Part #	Description	Diameter	Tread Width	Capacity
CCAPEX-8-1/2	8 X 2 WHEEL W/ TOP HATS	8"	2"	1200 LBS.

### CC Apex 10" x 2" Wheel

Part #	Description	Diameter	Tread Width	Capacity
CCAPEX-10-1/2	10 X 2 WHEEL W/ TOP HATS	10"	2"	1500 LBS.



<b>Durometer</b>	87 Shore A (+/-5)
<b>Temperature Range</b>	-40° to 180° F
<b>Rolling Resistance</b>	Very Low
<b>Noise Output</b>	Very Low
<b>Floor Surface Presevation</b>	Very Good
<b>Wheel Tread</b>	High-quality polyurethane (rounded shape; +/- 87A durometer)
<b>Wheel Core</b>	Aluminum
<b>Bearing</b>	Sealed Precision Ball Bearing with Top Hat Bushings
<b>Hub Length</b>	2-3/16"
<b>Inside Diameter: Wheel Bearing</b>	1/2"

<b>Features</b>	<ul style="list-style-type: none"> <li>-Low Total Cost of Ownership (TCO)</li> <li>-Improves pushing/pulling ergonomics</li> <li>-Quiet operation</li> <li>-Resilient tread protects floors, rejects debris, and assists in rolling</li> <li>-Aluminum core dissipates heat</li> </ul>
-----------------	--

<b>Options</b>	6" & 8" diameters available in gray. Contact us for more information.
----------------	---



**Metal Top Hat Bushing**



# PRODUCT SPECS

## 2" WIDE CC APEX CASTER CHARTS

### CC Apex 4" x 2" Caster

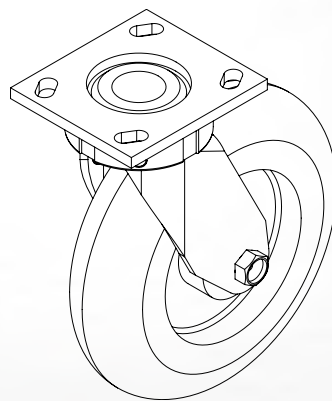
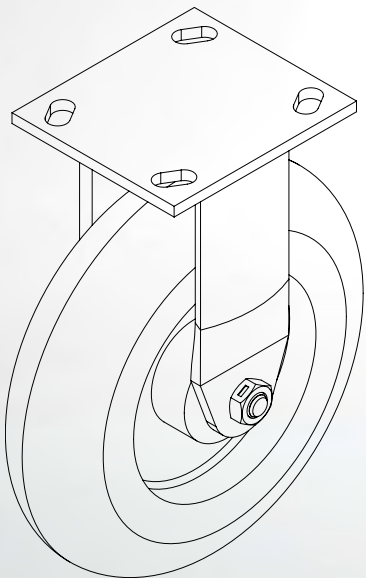
Part #	Description	Diameter	Tread Width	Overall Height	Capacity
<b>CCAPEX-4R</b>	4 X 2 RIGID CASTER	4"	2"	5-5/8"	700 LBS.
<b>CCAPEX-4S</b>	4 X 2 SWIVEL CASTER	4"	2"	5-5/8"	700 LBS.
<b>CCAPEX-4S-KP*</b>	4 X 2 KINGPINLESS SWIVEL CASTER	4"	2"	5-5/8"	700 LBS.
<b>CCAPEX-4S-KP-EXT**</b>	4 X 2 KINGPINLESS EXTENDED-LEAD SWIVEL CASTER	4"	2"	5-5/8"	700 LBS.

### CC Apex 5" x 2" Caster

Part #	Description	Diameter	Tread Width	Overall Height	Capacity
<b>CCAPEX-5R</b>	5 X 2 RIGID CASTER	5"	2"	6-1/2"	800 LBS.
<b>CCAPEX-5S</b>	5 X 2 SWIVEL CASTER	5"	2"	6-1/2"	800 LBS.
<b>CCAPEX-5S-KP*</b>	5 X 2 KINGPINLESS SWIVEL CASTER	5"	2"	6-1/2"	800 LBS.
<b>CCAPEX-5S-KP-EXT**</b>	5 X 2 KINGPINLESS EXTENDED-LEAD SWIVEL CASTER	5"	2"	6-1/2"	800 LBS.

### CC Apex 6" x 2" Caster

Part #	Description	Diameter	Tread Width	Overall Height	Capacity
<b>CCAPEX-6R</b>	6 X 2 RIGID CASTER	6"	2"	7-1/2"	1000 LBS.
<b>CCAPEX-6S</b>	6 X 2 SWIVEL CASTER	6"	2"	7-1/2"	1000 LBS.
<b>CCAPEX-6S-KP*</b>	6 X 2 KINGPINLESS SWIVEL CASTER	6"	2"	7-1/2"	1000 LBS.
<b>CCAPEX-6S-KP-EXT**</b>	6 X 2 KINGPINLESS EXTENDED-LEAD SWIVEL CASTER	6"	2"	7-1/2"	1000 LBS.
<b>CCAPEX-6S-EMF*</b>	6 X 2 MAINTENANCE-FREE SWIVEL CASTER	6"	2"	7-1/2"	1000 LBS.
<b>CCAPEX-6S-EMF-EXT**</b>	6 X 2 MAINTENANCE-FREE EXTENDED-LEAD SWIVEL CASTER	6"	2"	7-1/2"	1000 LBS.



Metal Top Hat Bushing



<b>Rigs/ Forks*</b>	Rigid	Heavy-duty Rigid (CC Peak) 6"
	Swivel	Maintenance-Free Swivel (CC Peak) 6"
	Kingpinless Swivel	Heavy-duty Maintenance-Free Swivel (CC Peak) 6"
	*Heavy-duty Design	*1045 Forged Steel
	*Extended-lead Swivels Available	*Stainless Steel Rig Options Available

<b>Wheel</b>	High-quality polyurethane (rounded shape; +/- 87A durometer) on aluminum core
<b>Bearing</b>	Sealed Precision Ball Bearing with Top Hat Bushings

<b>Features</b>	<ul style="list-style-type: none"> <li>-Low Total Cost of Ownership (TCO)</li> <li>-Improves pushing/pulling ergonomics</li> <li>-Quiet operation</li> <li>-Resilient tread protects floors, rejects debris, and assists in rolling</li> <li>-Aluminum core dissipates heat</li> </ul>
-----------------	--

<b>Brake and Other Options</b>	<ul style="list-style-type: none"> <li>- 4", 5": add "-VB" or "-FCB" to end of part #</li> <li>- Bolt-on 4-position swivel lock available for all but EMF &amp; MF rigs</li> </ul> <p>*See page 39 for additional brake info</p> <p>Contact us or visit <a href="http://casterconnection.com">casterconnection.com</a> for other rig configurations, and availability in gray.</p>
--------------------------------	--

<b>*Kingpinless/ Maintenance-Free</b>	<p>Elimination of kingpin eliminates the number one cause of swivel caster failure: the kingpin.</p> <p>Various overall heights and top plates available.</p>
---	---

<b>**Extended-lead</b>	<p>Swivel lead is extended to help eliminate chatter and improve swivel ability. Swivel lead is the distance from the vertical center line of the swivel section to the vertical center line of the wheel.</p> <p>Various overall heights and top plates available.</p>
------------------------	---

<b>***Top Plate</b>	<p>Top Plate 2 = 4-1/2" x 6-1/4" ; Standard Top Plates = 4" x 4-1/2"</p>
---------------------	--

# PRODUCT SPECS

## 2" WIDE CC APEX CASTER CHARTS

### CC Apex 8" x 2" Caster

Part #	Description	Diameter	Tread Width	Overall Height	Capacity
CCAPEX-8R	8 X 2 RIGID CASTER	8"	2"	9-1/2"	1200 LBS.
CCAPEX-8R-TP2	8 X 2 RIGID CASTER (TOP PLATE 2**)	8"	2"	9-1/2"	1200 LBS.
CCAPEX-8R-OH2	8 X 2 RIGID CASTER	8"	2"	10-1/8"	1200 LBS.
CCAPEX-8R-TP2-OH2	8 X 2 RIGID CASTER (TOP PLATE 2**)	8"	2"	10-1/8"	1200 LBS.
CCAPEX-8R-MF-TP2-OH2*	8 X 2 HEAVY-DUTY RIGID CASTER (TOP PLATE 2**)	8"	2"	10-1/8"	1200 LBS.
CCAPEX-8S	8 X 2 SWIVEL CASTER	8"	2"	9-1/2"	1200 LBS.
CCAPEX-8S-KP*	8 X 2 KINGPINLESS SWIVEL CASTER	8"	2"	9-1/2"	1200 LBS.
CCAPEX-8S-KP-EXT**	8 X 2 KINGPINLESS EXTENDED-LEAD SWIVEL CASTER	8"	2"	9-1/2"	1200 LBS.
CCAPEX-8S-KP-TP2*	8 X 2 KINGPINLESS SWIVEL CASTER (TOP PLATE 2**)	8"	2"	9-1/2"	1200 LBS.
CCAPEX-8S-KP-EXT-TP2**	8 X 2 KINGPINLESS EXTENDED-LEAD SWIVEL CASTER (TOP PLATE 2**)	8"	2"	9-1/2"	1200 LBS.
CCAPEX-8S-EMF*	8 X 2 MAINTENANCE-FREE SWIVEL CASTER	8"	2"	9-1/2"	1200 LBS.
CCAPEX-8S-EMF-EXT**	8 X 2 MAINTENANCE-FREE EXTENDED-LEAD SWIVEL CASTER	8"	2"	9-1/2"	1200 LBS.
CCAPEX-8S-KP-OH2*	8 X 2 KINGPINLESS SWIVEL CASTER	8"	2"	10-1/8"	1200 LBS.
CCAPEX-8S-KP-OH2-EXT**	8 X 2 KINGPINLESS EXTENDED-LEAD SWIVEL CASTER	8"	2"	10-1/8"	1200 LBS.
CCAPEX-8S-KP-TP2-OH2*	8 X 2 KINGPINLESS SWIVEL CASTER (TOP PLATE 2**)	8"	2"	10-1/8"	1200 LBS.
CCAPEX-8S-KP-TP2-OH2-EXT**	8 X 2 KINGPINLESS EXTENDED-LEAD SWIVEL CASTER (TOP PLATE 2**)	8"	2"	10-1/8"	1200 LBS.
CCAPEX-8S-MF*	8 X 2 HEAVY-DUTY MAINTENANCE-FREE SWIVEL CASTER	8"	2"	10-1/8"	1200 LBS.
CCAPEX-MF-8S-TP2-OH2-EXT**	8 X 2 HEAVY-DUTY MAINTENANCE-FREE EXTENDED-LEAD SWIVEL CASTER (TOP PLATE 2**)	8"	2"	10-1/8"	1200 LBS.

### CC Apex 10" x 2" Caster

Part #	Description	Diameter	Tread Width	Overall Height	Capacity
CCAPEX-10R-TP2	10 X 2 RIGID CASTER (TOP PLATE 2**)	10"	2"	11-1/8"	1500 LBS.
CCAPEX-10R-MF*	10 X 2 HEAVY-DUTY RIGID CASTER (TOP PLATE 2**)	10"	2"	12"	1500 LBS.
CCAPEX-10S-KP-TP2*	10 X 2 KINGPINLESS SWIVEL CASTER (TOP PLATE 2**)	10"	2"	11-1/8"	1500 LBS.
CCAPEX-10S-MF-EXT**	10 X 2 HEAVY-DUTY MAINTENANCE-FREE EXTENDED-LEAD SWIVEL CASTER (TOP PLATE 2**)	10"	2"	12"	1500 LBS.



Rigs/ Forks*	Rigid	Heavy-duty Rigid (CC Peak) 8", 10"
	Swivel	Maintenance-Free Swivel (CC Peak) 8"
	Kingpinless Swivel	Heavy-duty Maintenance-Free Swivel (CC Peak) 8", 10"
	*Heavy-duty Design	*1045 Forged Steel
	*Extended-lead Swivels Available	*Stainless Steel Rig Options Available

Wheel	High-quality polyurethane (rounded shape; +/- 87A durometer) on aluminum core
Bearing	Sealed Precision Ball Bearing with Top Hat Bushings

Features	<ul style="list-style-type: none"> <li>-Low Total Cost of Ownership (TCO)</li> <li>-Improves pushing/pulling ergonomics</li> <li>-Quiet operation</li> <li>-Resilient tread protects floors, rejects debris, and assists in rolling</li> <li>-Aluminum core dissipates heat</li> </ul>
----------	--

Brake and Other Options	<ul style="list-style-type: none"> <li>- 8" : add "BIB" to end of part #</li> <li>- Bolt-on 4-position swivel lock available for all but EMF &amp; MF rigs</li> </ul> <p>*See page 39 for additional brake info</p> <p>Contact us or visit <a href="http://casterconnection.com">casterconnection.com</a> for other rig configurations, and availability in gray.</p>
-------------------------	---

*Kingpinless/ Maintenance-Free	<p>Elimination of kingpin eliminates the number one cause of swivel caster failure: the kingpin.</p> <p>Various overall heights and top plates available.</p>
-----------------------------------	---

**Extended-lead	<p>Swivel lead is extended to help eliminate chatter and improve swivel ability. Swivel lead is the distance from the vertical center line of the swivel section to the vertical center line of the wheel.</p> <p>Various overall heights and top plates available.</p>
-----------------	---

***Top Plate	<p>Top Plate 2 = 4-1/2" x 6-1/4" ; Standard Top Plates = 4" x 4-1/2"</p>
--------------	--



Metal Top Hat Bushing

# PRODUCT SPECS

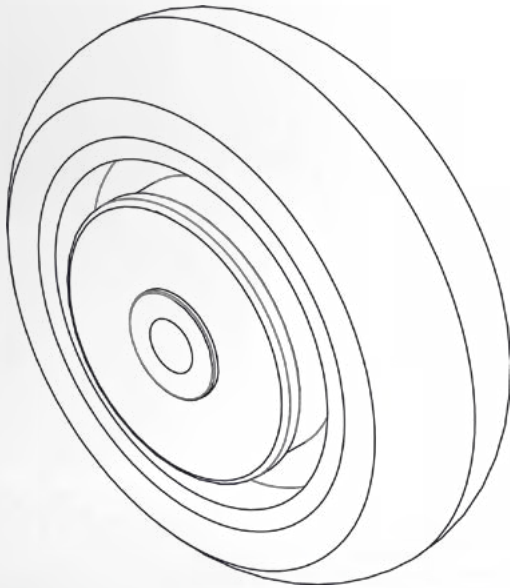
## 1-1/4" WIDE CC APEX WHEEL CHARTS

### CC Apex 4" x 1-1/4" Wheel

Part #	Description	Diameter	Tread Width	Capacity
CCAPEX-425-3/8	4 X 1-1/4" <b>ORANGE</b> WHEEL W/ TOP HATS	4"	1-1/4"	400 LBS.
CCAPEX-425-3/8-TG	4 X 1-1/4" <b>ORANGE</b> WHEEL W/ PLASTIC THREAD GUARDS	4"	1-1/4"	400 LBS.
CCAPEX-425-G-3/8	4 X 1-1/4" <b>GRAY</b> WHEEL W/ TOP HATS	4"	1-1/4"	400 LBS.
CCAPEX-425-G-3/8-TG	4 X 1-1/4" <b>GRAY</b> WHEEL W/ PLASTIC THREAD GUARDS	4"	1-1/4"	400 LBS.

### CC Apex 5" x 1-1/4" Wheel

Part #	Description	Diameter	Tread Width	Capacity
CCAPEX-525-3/8	5 X 1-1/4" <b>ORANGE</b> WHEEL W/ TOP HATS	5"	1-1/4"	450 LBS.
CCAPEX-525-3/8-TG	5 X 1-1/4" <b>ORANGE</b> WHEEL W/ PLASTIC THREAD GUARDS	5"	1-1/4"	450 LBS.
CCAPEX-525-G-3/8	5 X 1-1/4" <b>GRAY</b> WHEEL W/ TOP HATS	5"	1-1/4"	450 LBS.
CCAPEX-525-G-3/8-TG	5 X 1-1/4" <b>GRAY</b> WHEEL W/ PLASTIC THREAD GUARDS	5"	1-1/4"	450 LBS.



<b>Durometer</b>	87 Shore A (+/-5)
<b>Temperature Range</b>	-40° to 180° F
<b>Rolling Resistance</b>	Very Low
<b>Noise Output</b>	Very Low
<b>Floor Surface Presevation</b>	Very Good
<b>Wheel Tread</b>	High-quality polyurethane (rounded shape; +/- 87A durometer)
<b>Wheel Core</b>	Aluminum
<b>Bearing</b>	Sealed Precision Ball Bearing - with Metal Top Hat Bushings or Plastic Thread Guards
<b>Hub Length</b>	1-5/8"
<b>Inside Diameter: Wheel Bearing</b>	3/8"

<b>Features</b>	<ul style="list-style-type: none"> <li>-Low Total Cost of Ownership (TCO)</li> <li>-Improves pushing/pulling ergonomics</li> <li>-Quiet operation</li> <li>-Resilient tread protects floors, rejects debris, and assists in rolling</li> <li>-Aluminum core dissipates heat</li> </ul>
-----------------	--



Metal Top Hat Bushing

Plastic Thread Guard

# PRODUCT SPECS

## 1-1/4" WIDE CC APEX CASTER CHARTS

### Orange CC Apex 4" X 1-1/4" Wide Casters

Part #	Description	Diameter	Tread Width	Overall Height	Capacity
<b>CCAPEX-425R</b>	4 X 1-1/4" <b>ORANGE</b> RIGID CASTER	5"	1-1/4"	5-1/8"	400 LBS.
<b>CCAPEX-425S</b>	4 X 1-1/4" <b>ORANGE</b> SWIVEL CASTER	5"	1-1/4"	5-1/8"	400 LBS.
<b>CCAPEX-425-S-THREADED-STEM</b>	4 X 1-1/4" <b>ORANGE</b> THREADED STEM SWIVEL CASTER	5"	1-1/4"	5-1/8"	400 LBS.
<b>CCAPEX-425-S-EXP-STEM</b>	4 X 1-1/4" <b>ORANGE</b> EXPANDING STEM SWIVEL CASTER	5"	1-1/4"	5"	300 LBS.
<b>CCAPEX-425S-TL</b>	4 X 1-1/4" <b>ORANGE</b> SWIVEL CASTER w/ TOTAL LOCK BRAKE	5"	1-1/4"	5-1/8"	400 LBS.
<b>CCAPEX-425S-VB</b>	4 X 1-1/4" <b>ORANGE</b> SWIVEL CASTER w/ SIDE LOCK BRAKE	5"	1-1/4"	5-1/8"	400 LBS.

### Orange CC Apex 5" X 1-1/4" Wide Casters

Part #	Description	Diameter	Tread Width	Overall Height	Capacity
<b>CCAPEX-525R</b>	5 X 1-1/4" <b>ORANGE</b> RIGID CASTER	5"	1-1/4"	6-1/4"	450 LBS.
<b>CCAPEX-525S</b>	5 X 1-1/4" <b>ORANGE</b> SWIVEL CASTER	5"	1-1/4"	6-1/4"	450 LBS.
<b>CCAPEX-525-S-THREADED-STEM</b>	5 X 1-1/4" <b>ORANGE</b> THREADED STEM SWIVEL CASTER	5"	1-1/4"	6-1/4"	450 LBS.
<b>CCAPEX-525-S-EXP-STEM</b>	5 X 1-1/4" <b>ORANGE</b> EXPANDING STEM SWIVEL CASTER	5"	1-1/4"	6"	300 LBS.
<b>CCAPEX-525S-TL</b>	5 X 1-1/4" <b>ORANGE</b> SWIVEL CASTER w/ TOTAL LOCK BRAKE	5"	1-1/4"	6-1/4"	450 LBS.
<b>CCAPEX-525S-VB</b>	5 X 1-1/4" <b>ORANGE</b> SWIVEL CASTER w/ SIDE LOCK BRAKE	5"	1-1/4"	6-1/4"	450 LBS.

### Gray CC Apex 4" X 1-1/4" Wide Casters

Part #	Description	Diameter	Tread Width	Overall Height	Capacity
<b>CCAPEX-425-G-R</b>	4 X 1-1/4" <b>GRAY</b> RIGID CASTER	4"	1-1/4"	5-1/8"	400 LBS.
<b>CCAPEX-425-S-G</b>	4 X 1-1/4" <b>GRAY</b> SWIVEL CASTER	4"	1-1/4"	5-1/8"	400 LBS.
<b>CCAPEX-425-G-S-THREADED-STEM</b>	4 X 1-1/4" <b>GRAY</b> THREADED STEM SWIVEL CASTER	4"	1-1/4"	5-1/8"	400 LBS.
<b>CCAPEX-425-G-S-EXP-STEM</b>	4 X 1-1/4" <b>GRAY</b> EXPANDING STEM SWIVEL CASTER	4"	1-1/4"	5"	300 LBS.
<b>CCAPEX-425-S-G-TL</b>	4 X 1-1/4" <b>GRAY</b> SWIVEL CASTER w/ TOTAL LOCK BRAKE	4"	1-1/4"	5-1/8"	400 LBS.
<b>CCAPEX-425-S-G-VB</b>	4 X 1-1/4" <b>GRAY</b> SWIVEL CASTER w/ SIDE LOCK BRAKE	4"	1-1/4"	5-1/8"	400 LBS.

### Gray CC Apex 5" X 1-1/4" Wide Casters

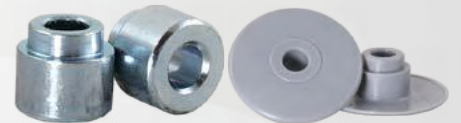
Part #	Description	Diameter	Tread Width	Overall Height	Capacity
<b>CCAPEX-525-G-R</b>	5 X 1-1/4" <b>GRAY</b> RIGID CASTER	5"	1-1/4"	6-1/4"	450 LBS.
<b>CCAPEX-525-S-G</b>	5 X 1-1/4" <b>GRAY</b> SWIVEL CASTER	5"	1-1/4"	6-1/4"	450 LBS.
<b>CCAPEX-525-G-S-THREADED-STEM</b>	5 X 1-1/4" <b>GRAY</b> THREADED STEM SWIVEL CASTER	5"	1-1/4"	6-1/4"	450 LBS.
<b>CCAPEX-525-G-S-EXP-STEM</b>	5 X 1-1/4" <b>GRAY</b> EXPANDING STEM SWIVEL CASTER	5"	1-1/4"	6"	300 LBS.
<b>CCAPEX-525-S-G-TL</b>	5 X 1-1/4" <b>GRAY</b> SWIVEL CASTER w/ TOTAL LOCK BRAKE	5"	1-1/4"	6-1/4"	450 LBS.
<b>CCAPEX-525-S-G-VB</b>	5 X 1-1/4" <b>GRAY</b> SWIVEL CASTER w/ SIDE LOCK BRAKE	5"	1-1/4"	6-1/4"	450 LBS.



	Rigid	Swivel
<b>Rigs/ Forks*</b>	*1045 Forged Steel	*Integrated Brake Options Available
	*Stainless Steel Rig Options Available	*Various Stem Sizes Available

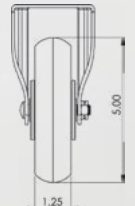
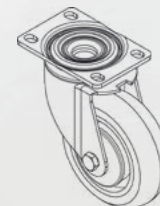
<b>Wheel</b>	High-quality polyurethane (rounded shape; +/- 87A durometer) on aluminum core
<b>Bearing</b>	Sealed Precision Ball Bearing - with Metal Top Hat Bushings or Plastic Thread Guards
<b>***Top Plate</b>	2-3/8" x 3-5/8"
<b>Stems</b>	Various sizes available - Contact Us

<b>Features</b>	<ul style="list-style-type: none"> <li>-Low Total Cost of Ownership (TCO)</li> <li>-Improves pushing/pulling ergonomics</li> <li>-Quiet operation</li> <li>-Resilient tread protects floors, rejects debris, and assists in rolling</li> <li>-Aluminum core dissipates heat</li> </ul>
-----------------	--



Metal Top Hat Bushing

Plastic Thread Guard



# CC APEX ESD INFO

## Electrostatic Dissipating Caster Wheels

The contact and separation (i.e. rolling, rubbing, sliding, bumping into) of materials creates a transfer of electrons, resulting in a surplus (positive charge) or shortage (negative charge) of free electrons. When there is no path to move through, this unbalanced charge results in a state called static electricity, until it contacts another material with a different positive or negative charge. **Transfer of static electricity from one object to another is called electrostatic discharge.**

**Electrostatic discharge** is a very serious issue in environments involving the **assembly and manufacturing of electronic components**, as well as areas with **ignitable gases, clean rooms, and medical environments**. 10 volts of electrostatic discharge is all it takes to seriously damage or destroy electronic equipment such as computer chips. For comparison, 3,000 volts of electrostatic discharge are required to be felt by humans. Electrostatic discharge can also cause materials such as plastics to cling together, slowing production and triggering quality issues. Not to mention the complications that electrostatic discharge produces by inhibiting dust particles from being circulated and gathered by air filtration systems in clean rooms.



Caster Connection's **CC Apex ESD (electrostatic dissipating)** wheels offer the same ergonomic, noise-reducing, and durability qualities as the original CC Apex, but with the added benefit of being electrostatic dissipating.

**CC APEX ESD**  
THE APEX OF INNOVATION.



CC Apex ESD wheels are made of a **mixture of CC polyurethane and electrostatic dissipating compounds** - meaning that ESD qualities exist throughout the entire wheel tread, so the wheel's ESD qualities **will never be worn down**. These wheels are non-marking, and leave no airborne particles or other residue. This is particularly important in clean rooms and other environments where this kind of contamination is especially disruptive or catastrophic.

Electrostatic dissipative material conducts electricity, with a surface resistivity of equal to or greater than  $10^5$  ohms, but less than  $10^{12}$  ohms. This material is **prescribed for discharge-safe areas** because it allows static electricity to flow through the caster wheels and into conductive flooring. It is highly recommended that all casters on a cart (or other fixture) in an electrostatic discharge-safe area are electrostatic dissipative, in order to strive for maximum contact with conductive flooring.

# PRODUCT SPECS

## 2" WIDE CC APEX ESD WHEEL CHARTS

### CC Apex ESD 4" x 2" Wheel

Part #	Description	Diameter	Tread Width	Capacity
CCAPEX-ESD-4-1/2	4 X 2 WHEEL W/ TOP HATS	4"	2"	700 LBS.

### CC Apex ESD 5" x 2" Wheel

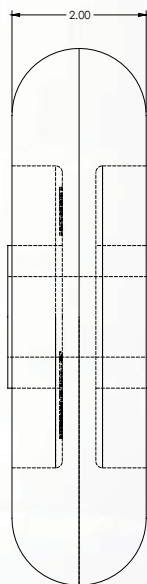
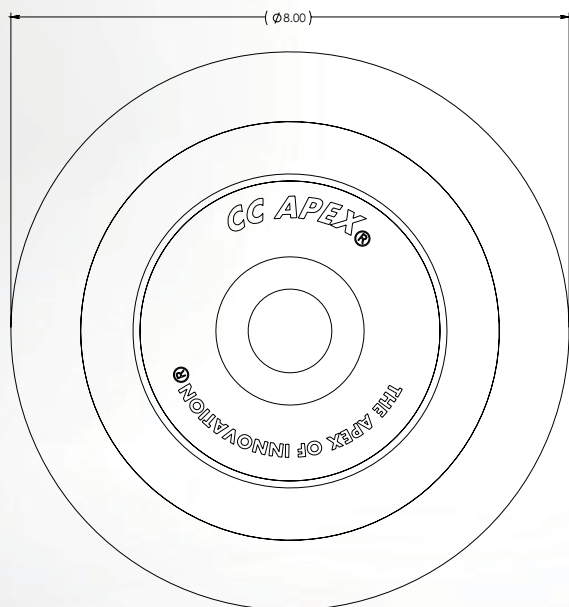
Part #	Description	Diameter	Tread Width	Capacity
CCAPEX-ESD-5-1/2	5 X 2 WHEEL W/ TOP HATS	5"	2"	800 LBS.

### CC Apex ESD 6" x 2" Wheel

Part #	Description	Diameter	Tread Width	Capacity
CCAPEX-ESD-6-1/2	6 X 2 WHEEL W/ TOP HATS	6"	2"	1000 LBS.

### CC Apex ESD 8" x 2" Wheel

Part #	Description	Diameter	Tread Width	Capacity
CCAPEX-ESD-8-1/2	8 X 2 WHEEL W/ TOP HATS	8"	2"	1200 LBS.



<b>Durometer</b>	87 Shore A (+/-5)
<b>Temperature Range</b>	-40° to 180° F
<b>Rolling Resistance</b>	Very Low
<b>Noise Output</b>	Very Low
<b>Floor Surface Presevation</b>	Very Good
<b>Wheel Tread</b>	High-quality polyurethane (rounded shape; +/- 87A durometer), with <b>electrostatic dissipating properties</b>
<b>Wheel Core</b>	Aluminum
<b>Bearing</b>	Sealed Precision Ball Bearing with Top Hat Bushings
<b>Hub Length</b>	2-3/16"
<b>Inside Diameter: Wheel Bearing</b>	1/2"

<b>Features</b>	<ul style="list-style-type: none"> <li>-Low Total Cost of Ownership (TCO)</li> <li>-Improves pushing/pulling ergonomics</li> <li>-Quiet operation</li> <li>-Resilient tread protects floors, rejects debris, and assists in rolling</li> <li>-Aluminum core dissipates heat</li> <li>-<b>Electrostatic dissipating properties throughout entire wheel tread</b></li> </ul>
-----------------	--



Metal Top Hat Bushing

# PRODUCT SPECS

## 2" WIDE CC APEX ESD CASTER CHARTS

### CC Apex ESD 4" x 2" Caster

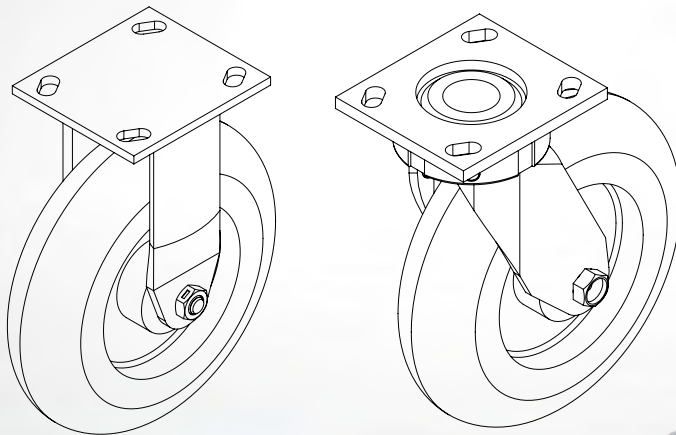
Part #	Description	Diameter	Tread Width	Overall Height	Capacity
CCAPEX-ESD-4R	4 X 2 RIGID CASTER	4"	2"	5-5/8"	700 LBS.
CCAPEX-ESD-4S	4 X 2 SWIVEL CASTER	4"	2"	5-5/8"	700 LBS.
CCAPEX-ESD-4S-KP*	4 X 2 KINGPINLESS SWIVEL CASTER	4"	2"	5-5/8"	700 LBS.
CCAPEX-ESD-4S-KP-EXT**	4 X 2 KINGPINLESS EXTENDED-LEAD SWIVEL CASTER	4"	2"	5-5/8"	700 LBS.

### CC Apex ESD 5" x 2" Caster

Part #	Description	Diameter	Tread Width	Overall Height	Capacity
CCAPEX-ESD-5R	5 X 2 RIGID CASTER	5"	2"	6-1/2"	800 LBS.
CCAPEX-ESD-5S	5 X 2 SWIVEL CASTER	5"	2"	6-1/2"	800 LBS.
CCAPEX-ESD-5S-KP*	5 X 2 KINGPINLESS SWIVEL CASTER	5"	2"	6-1/2"	800 LBS.
CCAPEX-ESD-5S-KP-EXT**	5 X 2 KINGPINLESS EXTENDED-LEAD SWIVEL CASTER	5"	2"	6-1/2"	800 LBS.

### CC Apex ESD 6" x 2" Caster

Part #	Description	Diameter	Tread Width	Overall Height	Capacity
CCAPEX-ESD-6R	6 X 2 RIGID CASTER	6"	2"	7-1/2"	1000 LBS.
CCAPEX-ESD-6S	6 X 2 SWIVEL CASTER	6"	2"	7-1/2"	1000 LBS.
CCAPEX-ESD-6S-KP*	6 X 2 KINGPINLESS SWIVEL CASTER	6"	2"	7-1/2"	1000 LBS.
CCAPEX-ESD-6S-KP-EXT**	6 X 2 KINGPINLESS EXTENDED-LEAD SWIVEL CASTER	6"	2"	7-1/2"	1000 LBS.
CCAPEX-ESD-6S-EMF*	6 X 2 MAINTENANCE-FREE SWIVEL CASTER	6"	2"	7-1/2"	1000 LBS.
CCAPEX-ESD-6S-EMF-EXT**	6 X 2 MAINTENANCE-FREE EXTENDED-LEAD SWIVEL CASTER	6"	2"	7-1/2"	1000 LBS.



Metal Top Hat Bushing



Rigs/ Forks*	Rigid	Heavy-duty Rigid (CC Peak) 6"
	Swivel	Maintenance-Free Swivel (CC Peak) 6"
	Kingpinless Swivel	Heavy-duty Maintenance-Free Swivel (CC Peak) 6"
	*Heavy-duty Design	*1045 Forged Steel
	*Extended-lead Swivels Available	*Stainless Steel Rig Options Available

Wheel	High-quality <b>electrostatic dissipating</b> polyurethane tread (rounded shape; +/- 87A durometer) on aluminum core
Bearing	Sealed Precision Ball Bearing with Top Hat Bushings

Features	<ul style="list-style-type: none"> <li>-Low Total Cost of Ownership (TCO)</li> <li>-Improves pushing/pulling ergonomics</li> <li>-Quiet operation</li> <li>-Resilient tread protects floors, rejects debris, and assists in rolling</li> <li>-Aluminum core dissipates heat</li> <li>-<b>Electrostatic dissipating properties throughout entire wheel tread</b></li> </ul>
----------	--

Brake and Other Options	<ul style="list-style-type: none"> <li>- 4", 5", 6": add "-VB" or "-FCB" to end of part #</li> <li>- Bolt-on 4-position swivel lock available for all but EMF &amp; MF rigs</li> </ul> <p>*See page 39 for additional brake info</p> <p>Contact us or visit <a href="http://casterconnection.com">casterconnection.com</a> for other rig configurations.</p>
-------------------------	--

*Kingpinless/ Maintenance-Free	<p>Elimination of kingpin eliminates the number one cause of swivel caster failure: the kingpin.</p> <p>Various overall heights and top plates available.</p>
-----------------------------------	---

**Extended-lead	<p>Swivel lead is extended to help eliminate chatter and improve swivel ability. Swivel lead is the distance from the vertical center line of the swivel section to the vertical center line of the wheel.</p> <p>Various overall heights and top plates available.</p>
-----------------	---

***Top Plate	<p>Top Plate 2 = 4-1/2" x 6-1/4"; Standard Top Plates = 4" x 4-1/2"</p>
--------------	---

# PRODUCT SPECS

## 2" WIDE CC APEX ESD CASTER CHARTS

### CC Apex ESD 8" x 2" Caster

Part #	Description	Diameter	Tread Width	Overall Height	Capacity
CCAPEX-ESD-8R	8 X 2 RIGID CASTER	8"	2"	9-1/2"	1200 LBS.
CCAPEX-ESD-8R-TP2	8 X 2 RIGID CASTER (TOP PLATE 2**)	8"	2"	9-1/2"	1200 LBS.
CCAPEX-ESD-8S	8 X 2 SWIVEL CASTER	8"	2"	9-1/2"	1200 LBS.
CCAPEX-ESD-8S-KP*	8 X 2 KINGPINLESS SWIVEL CASTER	8"	2"	9-1/2"	1200 LBS.
CCAPEX-ESD-8S-KP-EXT**	8 X 2 KINGPINLESS EXTENDED-LEAD SWIVEL CASTER	8"	2"	9-1/2"	1200 LBS.
CCAPEX-ESD-8S-KP-TP2*	8 X 2 KINGPINLESS SWIVEL CASTER (TOP PLATE 2**)	8"	2"	9-1/2"	1200 LBS.
CCAPEX-ESD-8S-KP-EXT-TP2**	8 X 2 KINGPINLESS EXTENDED-LEAD SWIVEL CASTER (TOP PLATE 2**)	8"	2"	9-1/2"	1200 LBS.
CCAPEX-ESD-8S-EMF*	8 X 2 MAINTENANCE-FREE SWIVEL CASTER	8"	2"	9-1/2"	1200 LBS.
CCAPEX-ESD-8S-EMF-EXT**	8 X 2 MAINTENANCE-FREE EXTENDED-LEAD SWIVEL CASTER	8"	2"	9-1/2"	1200 LBS.
CCAPEX-ESD-8R-OH2	8 X 2 RIGID CASTER	8"	2"	10-1/8"	1200 LBS.
CCAPEX-ESD-8R-TP2-OH2	8 X 2 RIGID CASTER (TOP PLATE 2**)	8"	2"	10-1/8"	1200 LBS.
CCAPEX-ESD-8R-MF-TP2-OH2*	8 X 2 HEAVY-DUTY RIGID CASTER (TOP PLATE 2**)	8"	2"	10-1/8"	1200 LBS.
CCAPEX-ESD-8S-KP-OH2*	8 X 2 KINGPINLESS SWIVEL CASTER	8"	2"	10-1/8"	1200 LBS.
CCAPEX-ESD-8S-KP-OH2-EXT**	8 X 2 KINGPINLESS EXTENDED-LEAD SWIVEL CASTER	8"	2"	10-1/8"	1200 LBS.
CCAPEX-ESD-8S-KP-TP2-OH2*	8 X 2 KINGPINLESS SWIVEL CASTER (TOP PLATE 2**)	8"	2"	10-1/8"	1200 LBS.
CCAPEX-ESD-8S-KP-TP2-OH2-EXT**	8 X 2 KINGPINLESS EXTENDED-LEAD SWIVEL CASTER (TOP PLATE 2**)	8"	2"	10-1/8"	1200 LBS.
CCAPEX-ESD-8S-EMF*	8 X 2 HEAVY-DUTY MAINTENANCE-FREE SWIVEL CASTER	8"	2"	10-1/8"	1200 LBS.
CCAPEX-ESD-8S-MF-TP2-OH2-EXT**	8 X 2 HEAVY-DUTY MAINTENANCE-FREE EXTENDED-LEAD SWIVEL CASTER (TOP PLATE 2**)	8"	2"	10-1/8"	1200 LBS.



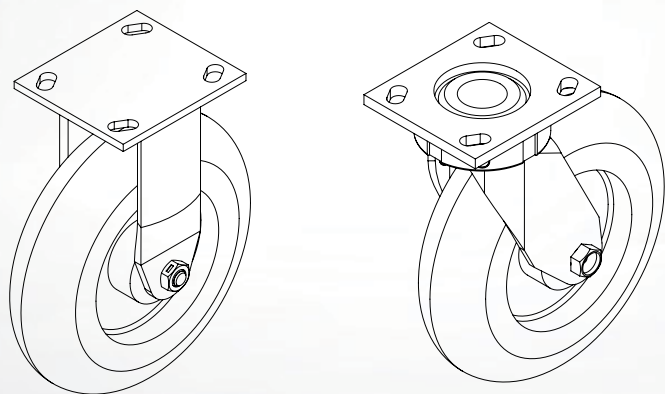
<b>Rigs/ Forks*</b>	Rigid	Heavy-duty Rigid (CC Peak) 8"
	Swivel	Maintenance-Free Swivel (CC Peak) 8"
	Kingpinless Swivel	Heavy-duty Maintenance-Free Swivel (CC Peak) 8"
	*Heavy-duty Design	*1045 Forged Steel
	*Extended-lead Swivels Available	*Stainless Steel Rig Options Available

<b>Wheel</b>	High-quality <b>electrostatic dissipating</b> polyurethane tread (rounded shape; +/- 87A durometer) on aluminum core
<b>Bearing</b>	Sealed Precision Ball Bearing with Top Hat Bushings

<b>Features</b>	<ul style="list-style-type: none"> <li>-Low Total Cost of Ownership (TCO)</li> <li>-Improves pushing/pulling ergonomics</li> <li>-Quiet operation</li> <li>-Resilient tread protects floors, rejects debris, and assists in rolling</li> <li>-Aluminum core dissipates heat</li> <li>-<b>Electrostatic dissipating properties throughout entire wheel tread</b></li> </ul>
-----------------	--

<b>Brake and Other Options</b>	<ul style="list-style-type: none"> <li>- 8": add "-VB", "-FCB", or "-BIB" to end of part #</li> <li>- Bolt-on 4-position swivel lock available for all but EMF &amp; MF rigs</li> </ul> <p>*See page 39 for additional brake info</p> <p>Contact us or visit <a href="http://casterconnection.com">casterconnection.com</a> for other rig configurations.</p>
--------------------------------	---

<b>*Kingpinless/ Maintenance-Free</b>	<p>Elimination of kingpin eliminates the number one cause of swivel caster failure: the kingpin.</p> <p>Various overall heights and top plates available.</p>
<b>**Extended-lead</b>	<p>Swivel lead is extended to help eliminate chatter and improve swivel ability. Swivel lead is the distance from the vertical center line of the swivel section to the vertical center line of the wheel.</p> <p>Various overall heights and top plates available.</p>
<b>***Top Plate</b>	<p>Top Plate 2 = 4-1/2" x 6-1/4"; Standard Top Plates = 4" x 4-1/2"</p>



Metal Top Hat Bushing



# PRODUCT SPECS

## 1-1/4" WIDE CC APEX ESD WHEEL CHARTS

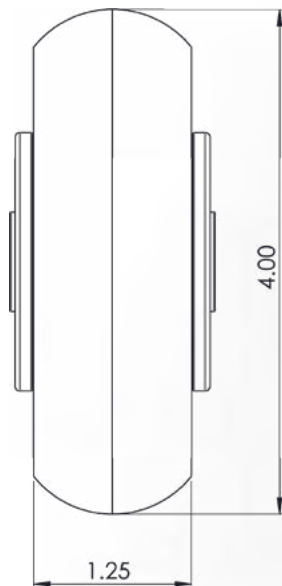
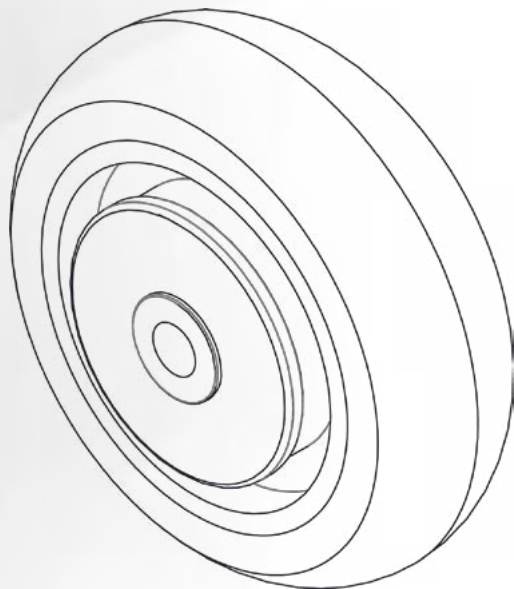
### CC Apex ESD 4" x 1-1/4" Wheel

Part #	Description	Diameter	Tread Width	Capacity
CCAPEX-ESD-425-3/8	4 X 1-1/4 WHEEL W/ TOP HATS	4"	1-1/4"	400 LBS.
CCAPEX-ESD-425-3/8-TG	4 X 1-1/4 WHEEL W/ PLASTIC THREAD GUARDS	4"	1-1/4"	400 LBS.



### CC Apex ESD 5" x 1-1/4" Wheel

Part #	Description	Diameter	Tread Width	Capacity
CCAPEX-ESD-525-3/8	5 X 1-1/4 WHEEL W/ TOP HATS	5"	1-1/4"	450 LBS.
CCAPEX-ESD-525-3/8-TG	5 X 1-1/4 WHEEL W/ PLASTIC THREAD GUARDS	5"	1-1/4"	450 LBS.



<b>Durometer</b>	87 Shore A (+/-5)
<b>Temperature Range</b>	-40° to 180° F
<b>Rolling Resistance</b>	Very Low
<b>Noise Output</b>	Very Low
<b>Floor Surface Presevation</b>	Very Good
<b>Tread</b>	High-quality polyurethane (rounded shape; +/- 87A durometer), with electrostatic dissipating properties
<b>Core</b>	Aluminum
<b>Bearing</b>	Sealed Precision Ball Bearing
<b>Hub Length</b>	1-5/8"
<b>Inside Diameter: Wheel Bearing</b>	3/8"

<b>Features</b>	<ul style="list-style-type: none"> <li>-Low Total Cost of Ownership (TCO)</li> <li>-Improves pushing/pulling ergonomics</li> <li>-Quiet operation</li> <li>-Resilient tread protects floors, rejects debris, and assists in rolling</li> <li>-Aluminum core dissipates heat</li> <li>-<b>Electrostatic dissipating properties throughout entire wheel tread</b></li> </ul>
-----------------	--



Metal Top Hat Bushing

Plastic Thread Guard

# PRODUCT SPECS

## 1-1/4" CC APEX ESD CASTER CHARTS

### CC Apex ESD 4" x 1-1/4" Caster

Part #	Description	Diameter	Tread Width	Overall Height	Capacity
CCAPEX-425R-ESD	4 X 1-1/4 RIGID CASTER	4"	1-1/4"	5-1/8"	400 LBS.
CCAPEX-ESD-425S	4 X 1-1/4 SWIVEL CASTER	4"	1-1/4"	5-1/8"	400 LBS.
CCAPEX-425-ESD-S-THREADED-STEM	4 X 1-1/4 THREADED STEM SWIVEL CASTER	4"	1-1/4"	5-1/8"	400 LBS.
CCAPEX-ESD-425-S-EXP-STEM	4 X 1-1/4 EXPANDING STEM SWIVEL CASTER	4"	1-1/4"	5"	300 LBS.
CCAPEX-425S-ESD-TL	4 X 1-1/4 SWIVEL CASTER w/ TOTAL LOCK BRAKE	4"	1-1/4"	5-1/8"	400 LBS.
CCAPEX-425S-ESD-VB	4 X 1-1/4 SWIVEL CASTER w/ SIDE LOCK BRAKE	4"	1-1/4"	5-1/8"	400 LBS.

### CC Apex ESD 5" x 1-1/4" Caster

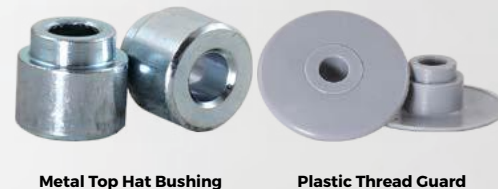
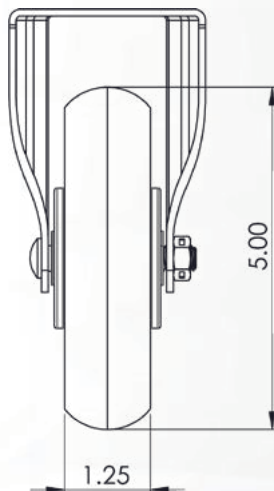
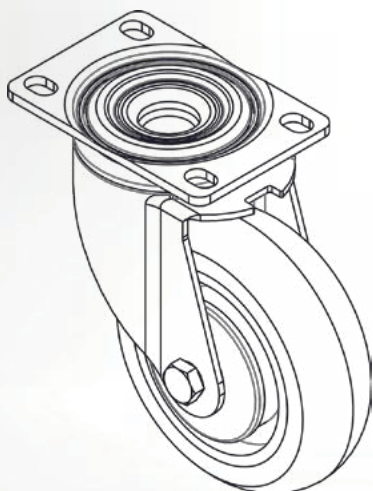
Part #	Description	Diameter	Tread Width	Overall Height	Capacity
CCAPEX-525R-ESD	5 X 1-1/4 RIGID CASTER	5"	1-1/4"	6-1/4"	450 LBS.
CCAPEX-ESD-525S	5 X 1-1/4 SWIVEL CASTER	5"	1-1/4"	6-1/4"	450 LBS.
CCAPEX-525-ESD-S-THREADED-STEM	5 X 1-1/4 THREADED STEM SWIVEL CASTER	5"	1-1/4"	6-1/4"	450 LBS.
CCAPEX-ESD-425S-EXP-STEM	5 X 1-1/4 EXPANDING STEM SWIVEL CASTER	5"	1-1/4"	6"	300 LBS.
CCAPEX-525S-ESD-TL	5 X 1-1/4 SWIVEL CASTER w/ TOTAL LOCK BRAKE	5"	1-1/4"	6-1/4"	450 LBS.
CCAPEX-525S-ESD-VB	5 X 1-1/4 SWIVEL CASTER w/ SIDE LOCK BRAKE	5"	1-1/4"	6-1/4"	450 LBS.



Rigs/ Forks*	Rigid	Swivel
	*1045 Forged Steel	*Integrated Brake Options Available
	*Stainless Steel Rig Options Available	*Various Stem Sizes Available

<b>Wheel</b>	High-quality polyurethane <b>electrostatic dissipating tread</b> (rounded shape; +/- 87A durometer) on aluminum core
<b>Bearing</b>	Sealed Precision Ball Bearing - with Metal Top Hat Bushings or Plastic Thread Guards
<b>***Top Plate</b>	2-3/8" x 3-5/8"
<b>Stems</b>	Various sizes available - Contact Us

<b>Features</b>	<ul style="list-style-type: none"> <li>-Low Total Cost of Ownership (TCO)</li> <li>-Improves pushing/pulling ergonomics</li> <li>-Quiet operation</li> <li>-Resilient tread protects floors, rejects debris, and assists in rolling</li> <li>-Aluminum core dissipates heat</li> <li>-<b>Electrostatic dissipating properties throughout entire wheel tread</b></li> </ul>
-----------------	--



Metal Top Hat Bushing

Plastic Thread Guard

# CC STOUT SERIES INFO

Using a **slightly-crowned flat-tread** design, the **CC Stout** series of wheels offers the same excellent mobility and ergonomics as the industry-changing CC Apex wheel, while capably carrying much heavier weight loads due its tread shape.



CC Stout wheels are available with a strong, painted **iron core** for applications that require movement of heavy weight loads. The **CC Stout HD** series features a **thicker polyurethane tread** and a **thicker iron core**. The **CC Stout AL** series utilizes a light-weight heat-dissipating **aluminum core** for faster-moving applications.

The benefits of the **CC Stout** include:

- High weight capacity - optional tread widths and core materials
- Optional iron core for heavier weight loads - painted to protect structural integrity
- Low push/pull force required for initial movement
- Ergonomic and easily maneuverable
- Debris dispelling capability
- Holds up under rigorous conditions
- Reduces downtime and maintenance costs

**CC STOUT AL**  
Confidence. Control. Stout.



**CC STOUT HD**  
Confidence. Control. Stout.



**CC STOUT**  
Confidence. Control. Stout.



## CC Stout AL Features

- Low Total Cost of Ownership (TCO)
- Improves pushing/pulling ergonomics
- Quiet operation
- Resilient tread protects floors, rejects debris, and assists in rolling
- Aluminum core dissipates heat
- Capable of carrying heavy weight loads

## CC Stout HD Features

- Thicker iron core and thicker polyurethane tread
- Carries heavier weight loads
- Additional resiliency
- Floor protection
- Debris dispersal

The **CC Stout** series is a great option for applications involving manual pushing and pulling, as well as towing by various vehicles. Because the **CC Stout** features the same polyurethane as the CC Apex, it offers an added boost to pushing and pulling and maintains a great grip on flooring during towing.

# PRODUCT SPECS

## 2" WIDE CC STOUT WHEEL CHARTS

### CC Stout 6" x 2" Wheel

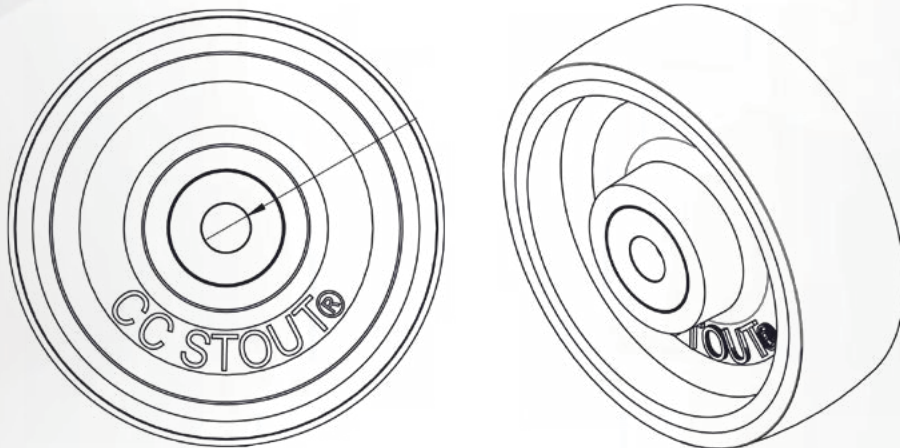
Part #	Description	Diameter	Tread Width	Capacity
CCSTOUT-6-1/2	6 X 2 POLYURETHANE ON IRON WHEEL w/ TOP HATS	6"	2"	1200 LBS.

### CC Stout 8" x 2" Wheel

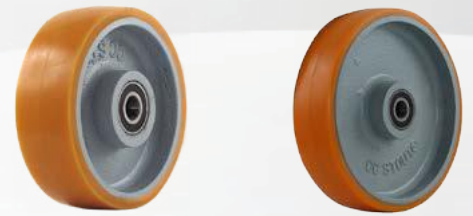
Part #	Description	Diameter	Tread Width	Capacity
CCSTOUT-8-1/2	8 X 2 POLYURETHANE ON IRON WHEEL w/ TOP HATS	8"	2"	1500 LBS.

### CC Stout 10" x 2" Wheel

Part #	Description	Diameter	Tread Width	Capacity
CCSTOUT-10-1/2	10 X 2 POLYURETHANE ON IRON WHEEL w/ TOP HATS	10"	2"	1850 LBS.



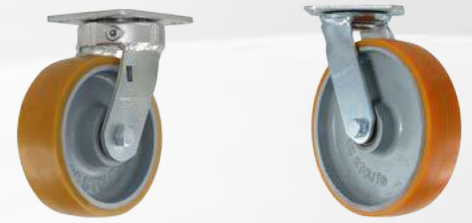
Metal Top Hat Bushing



<b>Durometer</b>	87 Shore A (+/-5)
<b>Temperature Range</b>	-40° to 180° F
<b>Rolling Resistance</b>	Very Low
<b>Noise Output</b>	Very Low
<b>Floor Surface Preseveration</b>	Very Good
<b>Wheel Tread</b>	High-quality polyurethane (slightly-crowned shape; +/- 87A durometer)
<b>Wheel Core</b>	All CC Stout (non-AL) wheels feature an iron core
<b>Bearing</b>	Sealed Precision Ball Bearing with Top Hat Bushings
<b>Hub Length</b>	2-3/16"
<b>Inside Diameter: Wheel Bearing</b>	1/2"
<b>Options</b>	CC Stout HD series wheels have thicker iron core and thicker polyurethane tread for carrying heavier weight loads, additional resiliency, floor protection, and debris dispersal.

# PRODUCT SPECS

## 2" WIDE CC STOUT CASTER CHARTS



### CC Stout 6" x 2" Caster

Part #	Description	Diameter	Tread Width	Overall Height	Capacity
CCSTOUT-6R	6 X 2 RIGID CASTER	6"	2"	7-1/2"	1200 LBS.
CCSTOUT-6S	6 X 2 SWIVEL CASTER	6"	2"	7-1/2"	1200 LBS.
CCSTOUT-6S-KP*	6 X 2 KINGPINLESS SWIVEL CASTER	6"	2"	7-1/2"	1200 LBS.
CCSTOUT-6S-KP-EXT**	6 X 2 KINGPINLESS EXTENDED-LEAD SWIVEL CASTER	6"	2"	7-1/2"	1200 LBS.
CCSTOUT-6S-EMF*	6 X 2 MAINTENANCE-FREE SWIVEL CASTER	6"	2"	7-1/2"	1200 LBS.
CCSTOUT-6S-EMF-EXT**	6 X 2 MAINTENANCE-FREE EXTENDED-LEAD SWIVEL CASTER	6"	2"	7-1/2"	1200 LBS.

### CC Stout 8" x 2" Caster

Part #	Description	Diameter	Tread Width	Overall Height	Capacity
CCSTOUT-8R	8 X 2 RIGID CASTER	8"	2"	9-1/2"	1500 LBS.
CCSTOUT-8S	8 X 2 SWIVEL CASTER	8"	2"	9-1/2"	1500 LBS.
CCSTOUT-8S-KP*	8 X 2 KINGPINLESS SWIVEL CASTER	8"	2"	9-1/2"	1500 LBS.
CCSTOUT-8S-KP-EXT**	8 X 2 KINGPINLESS EXTENDED-LEAD SWIVEL CASTER	8"	2"	9-1/2"	1500 LBS.
CCSTOUT-EMF-8S*	8 X 2 MAINTENANCE-FREE SWIVEL CASTER	8"	2"	9-1/2"	1500 LBS.
CCSTOUT-EMF-8S-EXT**	8 X 2 MAINTENANCE-FREE EXTENDED-LEAD SWIVEL CASTER	8"	2"	9-1/2"	1500 LBS.
CCSTOUT-8R-MF-TP2-OH2*	8 X 2 HEAVY-DUTY RIGID CASTER (TOP PLATE 2***)	8"	2"	10-1/8"	1500 LBS.
CCSTOUT-MF-8S-TP2-OH2*	8 X 2 HEAVY-DUTY MAINTENANCE-FREE SWIVEL CASTER (TOP PLATE 2***)	8"	2"	10-1/8"	1500 LBS.
CCSTOUT-MF-8S-TP2-OH2-EXT**	8 X 2 HEAVY-DUTY MAINTENANCE-FREE EXTENDED-LEAD SWIVEL CASTER (TOP PLATE 2***)	8"	2"	10-1/8"	1500 LBS.

### CC Stout 10" x 2" Caster

Part #	Description	Diameter	Tread Width	Overall Height	Capacity
CCSTOUT-10R-MF*	10 X 2 HEAVY-DUTY RIGID CASTER (TOP PLATE 2***)	10"	2"	12"	1850 LBS.
CCSTOUT-10S-KP-EXT**	10 X 2 KINGPINLESS EXTENDED-LEAD SWIVEL CASTER (TOP PLATE 2***)	10"	2"	12"	1850 LBS.
CCSTOUT-10S-MF-EXT**	10 X 2 HEAVY-DUTY MAINTENANCE-FREE EXTENDED-LEAD SWIVEL CASTER (TOP PLATE 2***)	10"	2"	12"	1850 LBS.



Metal Top Hat Bushing

Rigs/ Forks*	Rigid	Heavy-duty Rigid (CC Peak) 6", 8"
	Swivel	Maintenance-Free Swivel (CC Peak) 6", 8"
	Kingpinless Swivel	Heavy-duty Maintenance-Free Swivel (CC Peak) 6", 8"
	*Heavy-duty Design	*1045 Forged Steel
	*Extended-lead Swivels Available	*Stainless Steel Rig Options Available

Wheel	High-quality polyurethane (slightly-crowned shape: +/- 87A durometer) on iron core
Bearing	Sealed Precision Ball Bearing

Features	<ul style="list-style-type: none"> <li>-Low Total Cost of Ownership (TCO)</li> <li>-Improves pushing/pulling ergonomics</li> <li>-Quiet operation</li> <li>-Resilient tread protects floors, rejects debris, and assists in rolling</li> <li>-Iron core carries heavy weight loads - painting to protect structural integrity</li> </ul>
----------	--

Brake and Other Options	<ul style="list-style-type: none"> <li>- 8": add "-VB", "-FCB", or "-BIB" to end of part #</li> <li>- Bolt-on 4-position swivel lock available for all but EMF &amp; MF rigs</li> </ul> <p>*See page 39 for additional brake info</p> <p>Contact us or visit <a href="http://casterconnection.com">casterconnection.com</a> for other rig configurations.</p>
-------------------------	---

*Kingpinless/ Maintenance-Free	<p>Elimination of kingpin eliminates the number one cause of swivel caster failure: the kingpin.</p> <p>Various overall heights and top plates available.</p>
-----------------------------------	---

**Extended-lead	<p>Swivel lead is extended to help eliminate chatter and improve swivel ability. Swivel lead is the distance from the vertical center line of the swivel section to the vertical center line of the wheel.</p> <p>Various overall heights and top plates available.</p>
-----------------	---

***Top Plate	<p>Top Plate 2 = 4-1/2" x 6-1/4" ; Standard Top Plates = 4" x 4-1/2"</p>
--------------	--

# PRODUCT SPECS

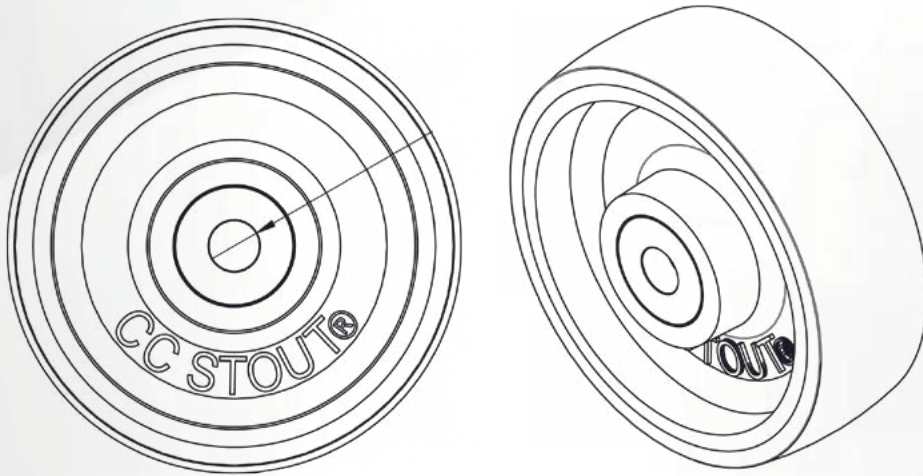
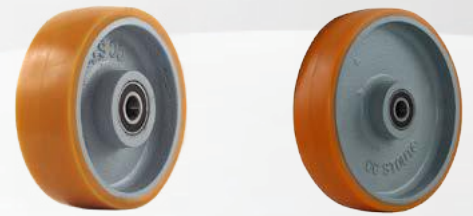
## 2" WIDE CC STOUT HD WHEEL CHARTS

### CC Stout HD 8" x 2" Wheel

Part #	Description	Diameter	Tread Width	Capacity
CCSTOUTH8-1/2	8 X 2 THICK-TREAD POLYURETHANE ON THICK IRON CORE WHEEL w/ TOP HATS	8"	2"	1750 LBS.

### CC Stout HD 10" x 2" Wheel

Part #	Description	Diameter	Tread Width	Capacity
CCSTOUTH10-1/2	10 X 2 THICK-TREAD POLYURETHANE ON THICK IRON CORE WHEEL w/ TOP HATS	10"	2"	2000 LBS.



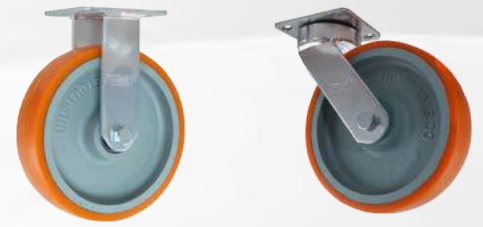
Metal Top Hat Bushing

<b>Durometer</b>	87 Shore A (+/-5)
<b>Temperature Range</b>	-40° to 180° F
<b>Rolling Resistance</b>	Very Low
<b>Noise Output</b>	Very Low
<b>Floor Surface Presevation</b>	Very Good
<b>Wheel Tread</b>	High-quality polyurethane (slightly-crowned shape; +/- 87A durometer). <b>CC Stout HD</b> wheels feature a <b>thicker polyurethane tread</b> for greater resiliency.
<b>Wheel Core</b>	All <b>CC Stout (non-AL)</b> wheels feature an <b>iron core</b> . <b>CC Stout HD</b> wheels feature a <b>thicker iron core</b> .
<b>Bearing</b>	Sealed Precision Ball Bearing with Top Hat Bushings
<b>Hub Length</b>	2-3/16"
<b>Inside Diameter: Wheel Bearing</b>	1/2"

<b>Additional Info</b>	CC Stout HD series wheels have thicker iron core and thicker polyurethane tread for carrying heavier weight loads, additional resiliency, floor protection, and debris dispersal.
------------------------	---

# PRODUCT SPECS

## 2" WIDE CC STOUT HD CASTER CHARTS



### CC Stout HD 8" x 2" Caster

Part #	Description	Diameter	Tread Width	Overall Height	Capacity
CCSTOUTH8-8R	8 X 2 RIGID CASTER	8"	2"	9-1/2"	1750 LBS.
CCSTOUTH8-8S	8 X 2 SWIVEL CASTER	8"	2"	9-1/2"	1750 LBS.
CCSTOUTH8-8S-KP*	8 X 2 KINGPINLESS SWIVEL CASTER	8"	2"	9-1/2"	1750 LBS.
CCSTOUTH8-8S-KP-EXT**	8 X 2 KINGPINLESS EXTENDED-LEAD SWIVEL CASTER	8"	2"	9-1/2"	1750 LBS.
CCSTOUTH8-EMF-8S*	8 X 2 MAINTENANCE-FREE SWIVEL CASTER	8"	2"	9-1/2"	1750 LBS.
CCSTOUTH8-EMF-8S-EXT**	8 X 2 MAINTENANCE-FREE EXTENDED-LEAD SWIVEL CASTER	8"	2"	9-1/2"	1750 LBS.

Rigs/ Forks*	Rigid	Heavy-duty Rigid (CC Peak) 8"
	Swivel	Maintenance-Free Swivel (CC Peak) 8"
	Kingpinless Swivel	Heavy-duty Maintenance-Free Swivel (CC Peak) 8"
	*Heavy-duty Design	*1045 Forged Steel
	*Extended-lead Swivels Available	*Stainless Steel Rig Options Available

### CC Stout HD 8" x 2" Caster

Part #	Description	Diameter	Tread Width	Overall Height	Capacity
CCSTOUTH8-8R-MF-TP2-OH2*	8 X 2 HEAVY-DUTY RIGID CASTER (TOP PLATE 2***)	8"	2"	10-1/8"	1750 LBS.
CCSTOUTH8-8S-MF-TP2-OH2*	8 X 2 HEAVY-DUTY MAINTENANCE-FREE SWIVEL CASTER (TOP PLATE 2***)	8"	2"	10-1/8"	1750 LBS.
CCSTOUTH8-8S-MF-TP2-OH2*	8 X 2 HEAVY-DUTY MAINTENANCE-FREE EXTENDED-LEAD SWIVEL CASTER (TOP PLATE 2***)	8"	2"	10-1/8"	1750 LBS.

Wheel	Thick tread high-quality polyurethane (slightly-crowned shape: +/- .87A durometer) on thick iron core
Bearing	Sealed Precision Ball Bearing

Features	<ul style="list-style-type: none"> <li>-Low Total Cost of Ownership (TCO)</li> <li>-Improves pushing/pulling ergonomics</li> <li>-Quiet operation</li> <li>-Thick resilient tread protects floors, rejects debris, and assists in rolling</li> <li>-Thick iron core carries heavy weight loads - painting to protect structural integrity</li> </ul>
----------	--

### CC Stout HD 10" x 2" Caster

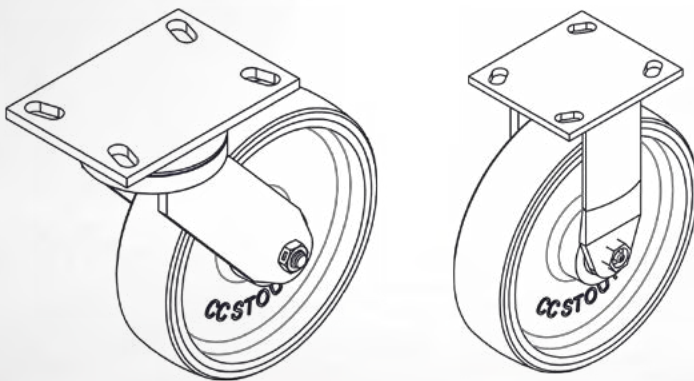
Part #	Description	Diameter	Tread Width	Overall Height	Capacity
CCSTOUTH10-10R-MF*	10 X 2 ORANGE HEAVY-DUTY RIGID CASTER (TOP PLATE 2***)	10"	2"	12"	2000 LBS.
CCSTOUTH10-10S-KP-EXT**	10 X 2 KINGPINLESS EXTENDED-LEAD SWIVEL CASTER (TOP PLATE 2***)	10"	2"	12"	2000 LBS.
CCSTOUTH10-10S-MF-EXT**	10 X 2 ORANGE HEAVY-DUTY MAINTENANCE-FREE EXTENDED-LEAD SWIVEL CASTER (TOP PLATE 2***)	10"	2"	12"	2000 LBS.

Brake and Other Options	<ul style="list-style-type: none"> <li>- 8": add "-VB", "-FCB", or "-BIB" to end of part #</li> <li>- Bolt-on 4-position swivel lock available for all but EMF &amp; MF rigs</li> </ul> <p>*See page 39 for additional brake info</p> <p>Contact us or visit <a href="http://casterconnection.com">casterconnection.com</a> for other rig configurations.</p>
-------------------------	---

*Kingpinless/ Maintenance-Free	<p>Elimination of kingpin eliminates the number one cause of swivel caster failure: the kingpin.</p> <p>Various overall heights and top plates available.</p>
-----------------------------------	---

**Extended-lead	<p>Swivel lead is extended to help eliminate chatter and improve swivel ability. Swivel lead is the distance from the vertical center line of the swivel section to the vertical center line of the wheel.</p> <p>Various overall heights and top plates available.</p>
-----------------	---

***Top Plate	<p>Top Plate 2 = 4-1/2" x 6-1/4" ; Standard Top Plates = 4" x 4-1/2"</p>
--------------	--



Metal Top Hat Bushing

# PRODUCT SPECS

## 3" WIDE CC STOUT WHEEL CHARTS

### CC Stout 6" x 3" Wheel

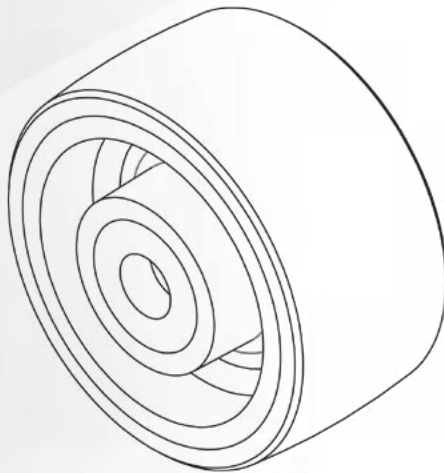
Part #	Description	Diameter	Tread Width	Capacity
CCSTOUT-630-3/4	6 X 3 POLYURETHANE ON IRON WHEEL w/ TOP HATS	6"	3"	2000 LBS.

### CC Stout 8" x 3" Wheel

Part #	Description	Diameter	Tread Width	Capacity
CCSTOUT-830-3/4	8 X 3 POLYURETHANE ON IRON WHEEL w/ TOP HATS	8"	3"	2300 LBS.

### CC Stout 10" x 3" Wheel

Part #	Description	Diameter	Tread Width	Capacity
CCSTOUT-1030-3/4	10 X 3 POLYURETHANE ON IRON WHEEL w/ TOP HATS	10"	3"	2750 LBS.



Metal Top Hat Bushing



Metal Top Hat Bushing  
Applicable For  
CC Stout 10" x 3" Caster Wheels



<b>Durometer</b>	87 Shore A (+/-5)
<b>Temperature Range</b>	-40° to 180° F
<b>Rolling Resistance</b>	Very Low
<b>Noise Output</b>	Very Low
<b>Floor Surface Presevation</b>	Very Good
<b>Wheel Tread</b>	High-quality polyurethane (slightly-crowned shape; +/- 87A durometer)
<b>Wheel Core</b>	<b>Default core is iron, with aluminum core option available in CC Stout AL Series.</b> CC Stout AL wheels feature a different bonding agent than wheels with a default iron core.
<b>Bearing</b>	Sealed Precision Ball Bearing with Top Hat Bushings
<b>Hub Length</b>	3-1/4"
<b>Inside Diameter: Wheel Bearing</b>	3/4" (1" available for 10" x 3" wheel)

<b>Options</b>	Iron or polyurethane core
----------------	---------------------------



# PRODUCT SPECS

## 3" WIDE CC STOUT CASTER CHARTS



### CC Stout 6" x 3" Caster

Part #	Description	Diameter	Tread Width	Overall Height	Capacity
CCSTOUT-630-R	6 X 3 RIGID CASTER (TOP PLATE 2***)	6"	3"	7-1/2"	2000 LBS.
CCSTOUT-630-S	6 X 3 SWIVEL CASTER (TOP PLATE 2***)	6"	3"	7-1/2"	2000 LBS.
CCSTOUT-630-S-KP*	6 X 3 KINGPINLESS SWIVEL CASTER (TOP PLATE 2***)	6"	3"	7-1/2"	2000 LBS.

Rigs/ Forks*	Rigid	*1045 Forged Steel
	Swivel	*Heavy-duty design
	Kingpinless Swivel	*Integrated Brake Options Available

### CC Stout 8" x 3" Caster

Part #	Description	Diameter	Tread Width	Overall Height	Capacity
CCSTOUT-830-R	8 X 3 RIGID CASTER (TOP PLATE 2***)	8"	3"	10-1/8"	2300 LBS.
CCSTOUT-830-S	8 X 3 SWIVEL CASTER (TOP PLATE 2***)	8"	3"	10-1/8"	2300 LBS.
CCSTOUT-830-S-KP*	8 X 3 KINGPINLESS SWIVEL CASTER (TOP PLATE 2***)	8"	3"	10-1/8"	2300 LBS.

Wheel	High-quality polyurethane (slightly-crowned shape; +/- 87A durometer) chemically bonded to an iron core
Bearing	Sealed Precision Ball Bearing with Top Hat Bushings

### CC Stout 10" x 3" Caster

Part #	Description	Diameter	Tread Width	Overall Height	Capacity
CCSTOUT-1030-R	10 X 3 RIGID CASTER (TOP PLATE 2***)	10"	3"	11-1/2"	2750 LBS.
CCSTOUT-1030-S	10 X 3 SWIVEL CASTER (TOP PLATE 2***)	10"	3"	11-1/2"	2750 LBS.
CCSTOUT-1030S-KP*	10 X 3 KINGPINLESS SWIVEL CASTER (TOP PLATE 2***)	10"	3"	11-1/2"	2750 LBS.

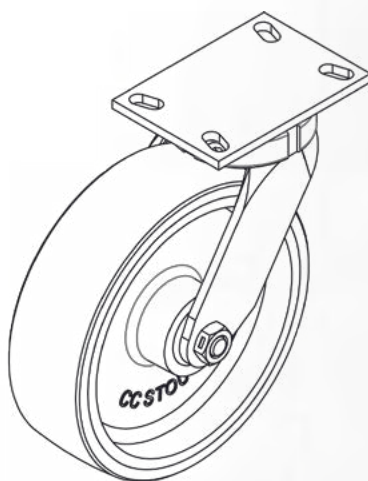
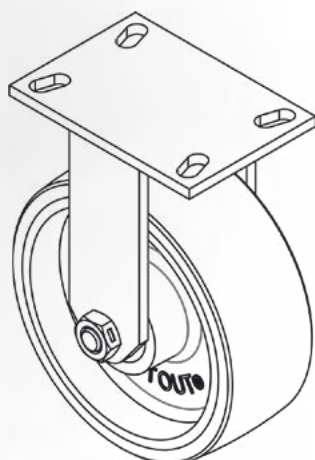
Brake and Other Options	<ul style="list-style-type: none"> <li>- Welded-on face contact brake available for all rigs and sizes</li> <li>- 8": add "-VB", "-FCB", or "-BIB" to end of part #</li> <li>- Bolt-on 4-position swivel lock available</li> </ul> <p>*See page 39 for additional brake info</p> <p>Contact us or visit <a href="http://casterconnection.com">casterconnection.com</a> for other rig configurations.</p>
-------------------------	--

Features	<ul style="list-style-type: none"> <li>-Low Total Cost of Ownership (TCO)</li> <li>-Improves pushing/pulling ergonomics</li> <li>-Quiet operation</li> <li>-Resilient tread protects floors, rejects debris, and assists in rolling</li> <li>-Aluminum core dissipates heat</li> <li>-Capable of carrying heavy weight loads</li> </ul>
----------	---

*Kingpinless/ Maintenance-Free	<p>Elimination of kingpin eliminates the number one cause of swivel caster failure: the kingpin.</p> <p>Various overall heights and top plates available.</p>
-----------------------------------	---

**Extended-lead	<p>Swivel lead is extended to help eliminate chatter and improve swivel ability. Swivel lead is the distance from the vertical center line of the swivel section to the vertical center line of the wheel.</p> <p>Various overall heights and top plates available.</p>
-----------------	---

***Top Plate	Top Plate 2 = 4-1/2" x 6-1/4"
--------------	-------------------------------



Metal Top Hat Bushing



Metal Top Hat Bushing  
Applicable For  
CC Stout 10" x 3" Caster Wheels

# PRODUCT SPECS

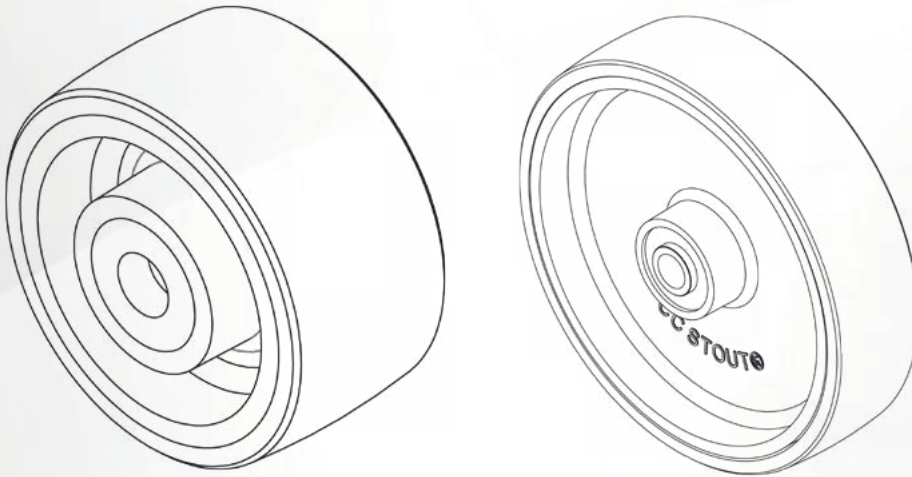
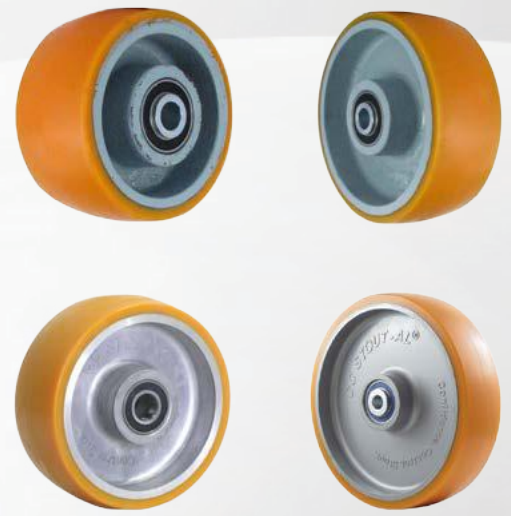
## 3" WIDE CC STOUT AL WHEEL CHARTS

### CC Stout AL 6" x 3" Wheel

Part #	Description	Diameter	Tread Width	Capacity
CCSTOUTAL-630-3/4	6 X 3 POLYURETHANE ON <b>ALUMINUM</b> WHEEL w/ TOP HATS	6"	3"	2000 LBS.

### CC Stout AL 8" x 3" Wheel

Part #	Description	Diameter	Tread Width	Capacity
CCSTOUTAL-830-3/4	8 X 3 POLYURETHANE ON <b>ALUMINUM</b> WHEEL w/ TOP HATS	8"	3"	2300 LBS.t



Metal Top Hat Bushing

<b>Durometer</b>	87 Shore A (+/-5)
<b>Temperature Range</b>	-40° to 180° F
<b>Rolling Resistance</b>	Very Low
<b>Noise Output</b>	Very Low
<b>Floor Surface Presevation</b>	Very Good
<b>Wheel Tread</b>	High-quality polyurethane (slightly-crowned shape; +/- 87A durometer)
<b>Wheel Core</b>	<b>CC Stout AL series features an aluminum core.</b> CC Stout AL wheels feature a different bonding agent than wheels with a default iron core.
<b>Bearing</b>	Sealed Precision Ball Bearing with Top Hat Bushings
<b>Hub Length</b>	3-1/4"
<b>Inside Diameter: Wheel Bearing</b>	3/4"

# PRODUCT SPECS

## 3" WIDE CC STOUT AL CASTER CHARTS



### CC Stout AL 6" x 3" Caster

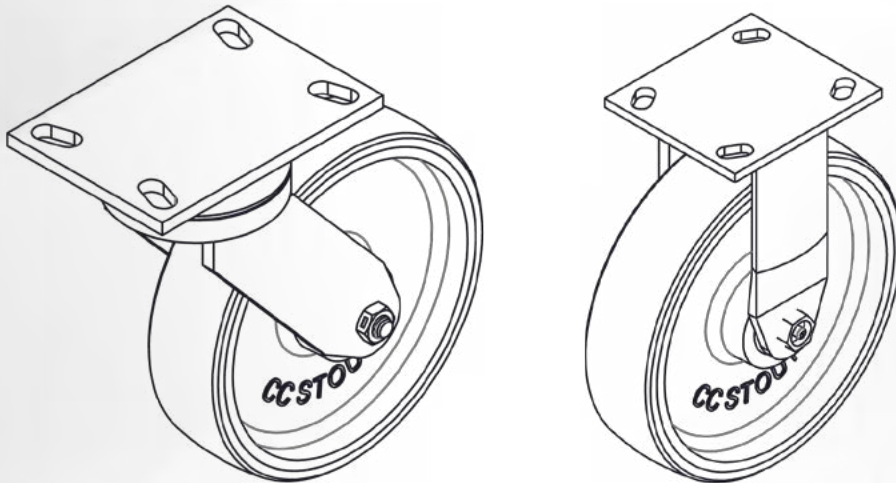
Part #	Description	Diameter	Tread Width	Overall Height	Capacity
CCSTOUTAL-630-R	6 X 3 RIGID CASTER (TOP PLATE 2***)	6"	3"	7-1/2"	2000 LBS.
CCSTOUTAL-630-S	6 X 3 SWIVEL CASTER (TOP PLATE 2***)	6"	3"	7-1/2"	2000 LBS.
CCSTOUTAL-630-S-KP*	6 X 3 KINGPINLESS SWIVEL CASTER (TOP PLATE 2***)	6"	3"	7-1/2"	2000 LBS.

<b>Rigs/ Forks*</b>	Rigid	*1045 Forged Steel
	Swivel	*Heavy-duty design
	Kingpinless Swivel	*Integrated Brake Options Available

### CC Stout AL 8" x 3" Caster

Part #	Description	Diameter	Tread Width	Overall Height	Capacity
CCSTOUTAL-830-R	8 X 3 RIGID CASTER (TOP PLATE 2***)	8"	3"	10-1/8"	2300 LBS.
CCSTOUTAL-830-S	8 X 3 SWIVEL CASTER (TOP PLATE 2***)	8"	3"	10-1/8"	2300 LBS.
CCSTOUTAL-830-S-KP*	8 X 3 KINGPINLESS SWIVEL CASTER (TOP PLATE 2***)	8"	3"	10-1/8"	2300 LBS.

<b>Wheel</b>	High-quality polyurethane (slightly-crowned shape; +/- 87A durometer) on wide aluminum core
<b>Bearing</b>	Sealed Precision Ball Bearing with Top Hat Bushings



<b>Brake and Other Options</b>	<ul style="list-style-type: none"> <li>- Welded-on face contact brake available for all rigs and sizes - 8"; add "-VB", "-FCB", or "-BIB" to end of part #</li> <li>- Bolt-on 4-position swivel lock available</li> </ul> <p>*See page 39 for additional brake info</p> <p>Contact us or visit <a href="http://casterconnection.com">casterconnection.com</a> for other rig configurations.</p>
--------------------------------	---

<b>Features</b>	<ul style="list-style-type: none"> <li>-Low Total Cost of Ownership (TCO)</li> <li>-Improves pushing/pulling ergonomics</li> <li>-Quiet operation</li> <li>-Resilient tread protects floors, rejects debris, and assists in rolling</li> <li>-Aluminum core dissipates heat</li> <li>-Capable of carrying heavy weight loads</li> </ul>
-----------------	---

<b>*Kingpinless/ Maintenance-Free</b>	<p>Elimination of kingpin eliminates the number one cause of swivel caster failure: the kingpin.</p> <p>Various overall heights and top plates available.</p>
---	---

<b>***Top Plate</b>	Top Plate 2 = 4-1/2" x 6-1/4"
---------------------	-------------------------------



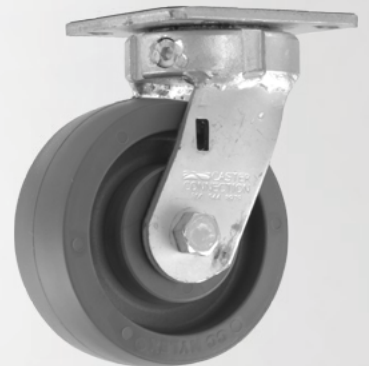
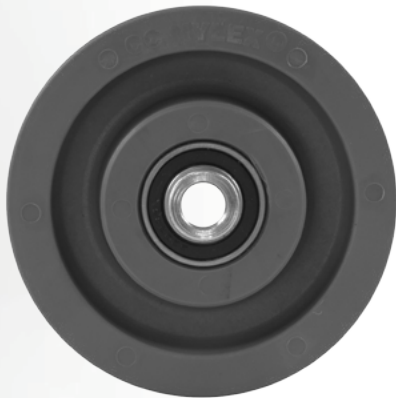
Metal Top Hat Bushing

# CC NYLEX INFO

The heavy-duty nylon **CC Nylex** wheel is a superb ergonomic choice for carrying very heavy weight loads. Providing impact absorption and sheer strength components without breakdown, the CC Nylex has an outstanding ability to roll with ease. Its slight crown and hard tread design grant users boundless mobility and performs almost exclusively maintenance-free.

## The benefits of the CC Nylex include:

- Ability to handle heavy weight loads without breakdown
- Impressive impact absorption
- Low push/pull force required for movement
- Smooth maneuverability with little to no interruption
- Resistance to organic diluters, including most cleaning & chemical solutions



# PRODUCT SPECS

## 2" WIDE CC NYLEX WHEEL CHARTS



### CC Nylex 4" x 2" Wheel

Part #	Description	Diameter	Tread Width	Capacity
CCNYLEX-4-1/2	4 X 2 WHEEL w/ TOP HATS	4"	2"	1000 LBS.

### CC Nylex 5" x 2" Wheel

Part #	Description	Diameter	Tread Width	Capacity
CCNYLEX-5-1/2	5 X 2 WHEEL w/ TOP HATS	5"	2"	1250 LBS.

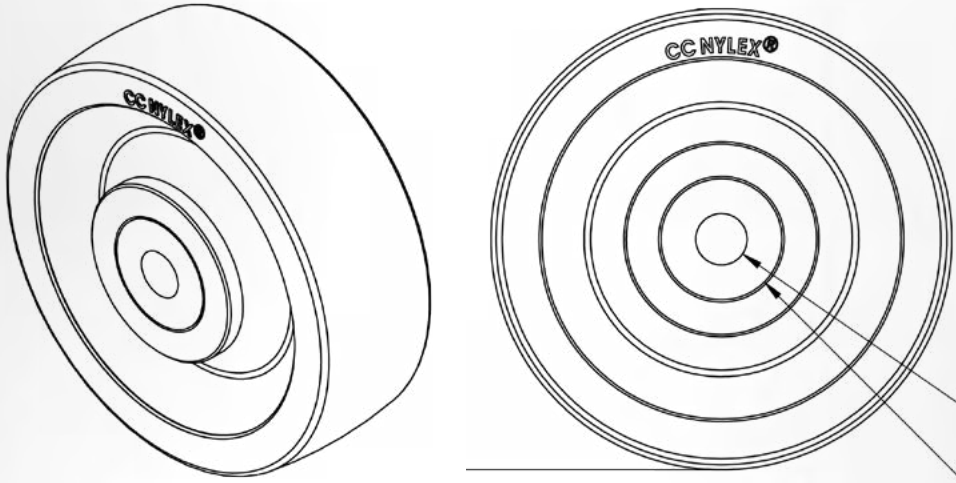
### CC Nylex 6" x 2" Wheel

Part #	Description	Diameter	Tread Width	Capacity
CCNYLEX-6-1/2	6 X 2 WHEEL w/ TOP HATS	6"	2"	1500 LBS.

### CC Nylex 8" x 2" Wheel

Part #	Description	Diameter	Tread Width	Capacity
CCNYLEX-8-1/2	8 X 2 WHEEL w/ TOP HATS	8"	2"	2000 LBS.

<b>Durometer</b>	74 Shore D (+/- 5)
<b>Temperature Range</b>	-40° to 250° F
<b>Rolling Resistance</b>	Extremely Low
<b>Noise Output</b>	Moderate
<b>Floor Surface Preseveration</b>	Good
<b>Wheel Tread + Core</b>	Heavy-duty Solid Nylon (slightly-crowned; +/- 74D durometer)
<b>Bearing</b>	Sealed Precision Ball Bearing with Top Hat Bushings
<b>Hub Length</b>	2-3/16"
<b>Inside Diameter: Wheel Bearing</b>	1/2"



Metal Top Hat Bushing

# PRODUCT SPECS

## 2" WIDE CC NYLEX CASTER CHARTS

### CC Nylex 4" x 2" Caster

Part #	Description	Diameter	Tread Width	Overall Height	Capacity
CCNYLEX-4R	4 X 2 RIGID CASTER	4"	2"	5-5/8"	1000 LBS.
CCNYLEX-4S	4 X 2 SWIVEL CASTER	4"	2"	5-5/8"	1000 LBS.
CCNYLEX-4S-KP*	4 X 2 KINGPINLESS SWIVEL CASTER	4"	2"	5-5/8"	1000 LBS.
CCNYLEX-4S-KP-EXT**	4 X 2 KINGPINLESS EXTENDED-LEAD SWIVEL CASTER	4"	2"	5-5/8"	1000 LBS.

### CC Nylex 5" x 2" Caster

Part #	Description	Diameter	Tread Width	Overall Height	Capacity
CCNYLEX-5R	5 X 2 RIGID CASTER	5"	2"	6-1/2"	1250 LBS.
CCNYLEX-5S	5 X 2 SWIVEL CASTER	5"	2"	6-1/2"	1250 LBS.
CCNYLEX-5S-KP*	5 X 2 KINGPINLESS SWIVEL CASTER	5"	2"	6-1/2"	1250 LBS.
CCNYLEX-5S-KP-EXT**	5 X 2 KINGPINLESS EXTENDED-LEAD SWIVEL CASTER	5"	2"	6-1/2"	1250 LBS.

### CC Nylex 6" x 2" Caster

Part #	Description	Diameter	Tread Width	Overall Height	Capacity
CCNYLEX-6R	6 X 2 RIGID CASTER	6"	2"	7-1/2"	1500 LBS.
CCNYLEX-6S	6 X 2 SWIVEL CASTER	6"	2"	7-1/2"	1500 LBS.
CCNYLEX-6S-KP*	6 X 2 KINGPINLESS SWIVEL CASTER	6"	2"	7-1/2"	1500 LBS.
CCNYLEX-6S-KP-EXT**	6 X 2 KINGPINLESS EXTENDED-LEAD SWIVEL CASTER	6"	2"	7-1/2"	1500 LBS.
CCNYLEX-6S-EMF*	6 X 2 MAINTENANCE-FREE SWIVEL CASTER	6"	2"	7-1/2"	1500 LBS.
CCNYLEX-6S-EMF-EXT**	6 X 2 MAINTENANCE-FREE EXTENDED-LEAD SWIVEL CASTER	6"	2"	7-1/2"	1500 LBS.



<b>Rigs/ Forks*</b>	Rigid	Heavy-duty Rigid (CC Peak) 8"
	Swivel	Maintenance-Free Swivel (CC Peak) 8"
	Kingpinless Swivel	Heavy-duty Maintenance-Free Swivel (CC Peak) 8"
	*Heavy-duty Design	*1045 Forged Steel
	*Extended-lead Swivels Available	*Stainless Steel Rig Options Available

<b>Wheel</b>	Heavy-duty Solid Nylon (slightly-crowned shape; +/- 74D durometer)
<b>Bearing</b>	Sealed Precision Ball Bearing with Top Hat Bushings

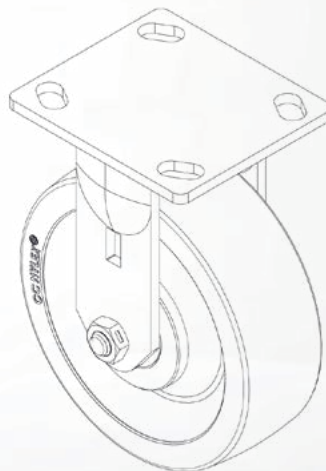
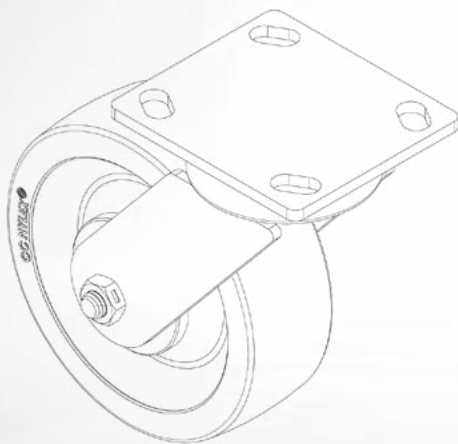
<b>Features</b>	<ul style="list-style-type: none"> <li>- Ability to handle heavy weight loads without breakdown</li> <li>- Impressive impact absorption</li> <li>- Low push/pull force required for movement</li> <li>- Smooth maneuverability with little to no interruption</li> <li>- Resistance to organic diluters, including most cleaning &amp; chemical solutions</li> </ul>
-----------------	--

<b>Brake and Other Options</b>	<ul style="list-style-type: none"> <li>- 4", 5", 6": add "-VB" or "-FCB" to end of part #</li> <li>- 6": add "-BIB" to end of part #</li> <li>- Bolt-on 4-position swivel lock available for all but EMF &amp; MF rigs</li> </ul> <p>*See page 39 for additional brake info</p> <p>Contact us or visit <a href="http://casterconnection.com">casterconnection.com</a> for other rig configurations.</p>
--------------------------------	---

<b>*Kingpinless/ Maintenance-Free</b>	<p>Elimination of kingpin eliminates the number one cause of swivel caster failure: the kingpin.</p> <p>Various overall heights and top plates available.</p>
---	---

<b>**Extended-lead</b>	<p>Swivel lead is extended to help eliminate chatter and improve swivel ability. Swivel lead is the distance from the vertical center line of the swivel section to the vertical center line of the wheel.</p> <p>Various overall heights and top plates available.</p>
------------------------	---

<b>***Top Plate</b>	<p>Top Plate 2 = 4-1/2" x 6-1/4"; Standard Top Plates = 4" x 4-1/2"</p>
---------------------	---



Metal Top Hat Bushing

# PRODUCT SPECS

## 2" WIDE CC NYLEX CASTER CHARTS

### CC Nylex 8" x 2" Caster

Part #	Description	Diameter	Tread Width	Overall Height	Capacity
CCNYLEX-8R	8 X 2 RIGID CASTER	8"	2"	9-1/2"	2000 LBS.
CCNYLEX-8S	8 X 2 SWIVEL CASTER	8"	2"	9-1/2"	2000 LBS.
CCNYLEX-8S-KP*	8 X 2 KINGPINLESS SWIVEL CASTER	8"	2"	9-1/2"	2000 LBS.
CCNYLEX-8S-KP-EXT**	8 X 2 KINGPINLESS EXTENDED-LEAD SWIVEL CASTER	8"	2"	9-1/2"	2000 LBS.
CCNYLEX-8S-EMF*	8 X 2 MAINTENANCE-FREE SWIVEL CASTER	8"	2"	9-1/2"	2000 LBS.
CCNYLEX-EMF-8S-EXT**	8 X 2 MAINTENANCE-FREE EXTENDED-LEAD SWIVEL CASTER	8"	2"	9-1/2"	2000 LBS.
CCNYLEX-8R-TP2-OH2	8 X 2 RIGID CASTER (TOP PLATE 2**)	8"	2"	10-1/8"	2000 LBS.
CCNYLEX-8R-MF-TP2-OH2	8 X 2 HEAVY-DUTY MAINTENANCE-FREE SWIVEL CASTER (TOP PLATE 2**)	8"	2"	10-1/8"	2000 LBS.
CCNYLEX-MF-8S-TP2-OH2**	8 X 2 HEAVY-DUTY MAINTENANCE-FREE SWIVEL CASTER (TOP PLATE 2**)	8"	2"	10-1/8"	2000 LBS.
CCNYLEX-MF-8S-TP2-OH2-EXT**	8 X 2 HEAVY-DUTY MAINTENANCE-FREE EXTENDED-LEAD SWIVEL CASTER (TOP PLATE 2**)	8"	2"	10-1/8"	2000 LBS.



<b>Rigs/ Forks*</b>	Rigid	Heavy-duty Rigid (CC Peak) 8"
	Swivel	Maintenance-Free Swivel (CC Peak) 8"
	Kingpinless Swivel	Heavy-duty Maintenance-Free Swivel (CC Peak) 8"
	*Heavy-duty Design	*1045 Forged Steel
	*Extended-lead Swivels Available	*Stainless Steel Rig Options Available

<b>Wheel</b>	Heavy-duty Solid Nylon (slightly-crowned shape; +/- 74D durometer)
<b>Bearing</b>	Sealed Precision Ball Bearing with Top Hat Bushings

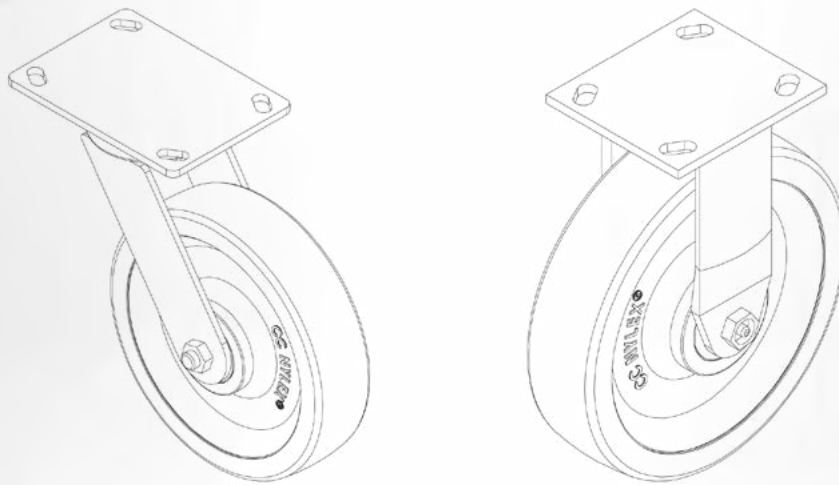
<b>Features</b>	<ul style="list-style-type: none"> <li>- Ability to handle heavy weight loads without breakdown</li> <li>- Impressive impact absorption</li> <li>- Low push/pull force required for movement</li> <li>- Smooth maneuverability with little to no interruption</li> <li>- Resistance to organic diluters, including most cleaning &amp; chemical solutions</li> </ul>
-----------------	--

<b>Brake and Other Options</b>	<ul style="list-style-type: none"> <li>- 8": add "-VB", "-FCB", or "-BIB" to end of part #</li> <li>- Bolt-on 4-position swivel lock available for all but EMF &amp; MF rigs</li> </ul> <p>*See page 39 for additional brake info</p> <p>Contact us or visit <a href="http://casterconnection.com">casterconnection.com</a> for other rig configurations.</p>
--------------------------------	---

<b>*Kingpinless/ Maintenance-Free</b>	<p>Elimination of kingpin eliminates the number one cause of swivel caster failure: the kingpin.</p> <p>Various overall heights and top plates available.</p>
---	---

<b>**Extended-lead</b>	<p>Swivel lead is extended to help eliminate chatter and improve swivel ability. Swivel lead is the distance from the vertical center line of the swivel section to the vertical center line of the wheel.</p> <p>Various overall heights and top plates available.</p>
------------------------	---

<b>***Top Plate</b>	<p>Top Plate 2 = 4-1/2" x 6-1/4" ; Standard Top Plates = 4" x 4-1/2"</p>
---------------------	--



Metal Top Hat Bushing

# CC CREST KINGPIN RIGS/FORKS

**CC Crest** is Caster Connection's series of standard 2" wide plate mount style zinc-coated swivel and rigid caster rigs/forks. CC Crest performs well in manual push/pull, conveyor applications, drag lines, maintenance carts, dollies, racks, and more.

A kingpin swivel caster is a plate mount, swivel section composed of an upper and lower ball race, held together with a nut and bolt, or a riveted kingpin.

This caster has a plate mount, swivel section composed of an upper and lower ball race, held together with a nut and bolt, or a riveted kingpin. top plate attachment and wheel assembly that will allow rotation of 360 degrees, which permits movement in any direction.



## Application(s):

- Manual Push/Pull
- Conveyor Applications
- Drag Lines
- Maintenance Carts
- Utility Carts
- Dollies
- Racks
- Retail Fixtures





# CC ALPHA KINGPINLESS RIGS/FORKS

The **CC Alpha** is a 2" wide kingpinless swivel caster rig/fork that can handle heavy weight loads, performs well in tow lines, and offers great durability because of its lack of a kingpin. Without the kingpin, a caster is able to more evenly distribute weight and ease the pressure on the caster. **Casters with a kingpin often fail in towline applications** because high velocity towing can wear down the kingpin and cause catastrophic failure.

Kingpinless rigs are constructed with a swivel section, which is held together without a rivet or nut and bolt kingpin. Kingpinless swivel sections are held together by a single row of ball bearings which are contained by a full contact interlocking swivel raceway design.



## The benefits of the CC Alpha include:

- No direct "jarring" impact on the junction of the raceways
- Dramatic reduction of raceway abuse
- Elimination of the "pull apart" forces of stress in the swivel section
- Smoother pivot action enables high maneuverability
- Extended service life
- Maximum force absorption

## Ideal applications include:

- Tow line applications
- Manual push/pull
- Conveyor applications
- Drag lines
- Maintenance carts
- Utility carts
- Dollies
- Racks
- Retail fixtures



# CC PEAK EMF RIGS/FORKS

Caster Connection's revolutionary **CC Peak EMF** maintenance-free swivel caster rig is designed to meet the demanding requirements of manufacturing environments.

Unlike kingpin or kingpinless rigs/forks, this maintenance-free swivel caster rig's construction allows for even dispersion of load, which has an incredibly dramatic effect in reducing push/pull compared to other caster rigs.



## The CC Peak EMF's ergonomic design

- Dramatically reduces push/pull force requirements with its precise raceway and extended-lead
- Stands the test of time and abuse with thick forged steel legs/raceway
- Requires no maintenance with sealed raceway and lifelong grease



## Maintenance-Free vs. Kingpinless

### Maintenance-Free Swivel Caster Rig:

- Load is concentrated on primary thrust bearing, which has seated ball bearings, and the secondary load bearing; this allows for even dispersion of load, reducing push/pull

### Kingpinless Swivel Caster Rig:

- Load is concentrated on the ball bearings, ball bearings float freely in raceway, causing some push/pull spikes



# CC PEAK HEAVY-DUTY RIGS/FORKS

The **CC Peak heavy-duty** maintenance-free swivel caster rig is a **more robust version of the CC Peak EMF**.

Compared to the **CC Peak EMF**, the **CC Peak** has:

- **Thicker all-around steel**
- **Larger raceway** w/ significantly **larger thrust bearing**
- **Larger tapered roller bearing** for side thrusts



## More Robust = Greater Performance

The CC Peak's larger surface area offers greater ergonomic performance by lowering users' push/pull efforts. Additionally, the greater size and strength of the CC Peak allows for higher load capacities of cargo to be transported.



## How does it work?

The CC Peak uses a proprietary two-bearing system. A thrust bearing carries the weight, and a tapered bearing is tightly fit around the integrally forged kingpin for stability and combating shock forces. This heavy-duty maintenance-free product features a robust raceway and thick steel legs, providing superior ergonomic performance to any traditional caster rig on the market.

## Why upgrade to CC Peak?

- Excellent ergonomic performance - reducing BWC claims
- Incredible durability - preventing downtime
- Extremely quiet - meeting decibel level requirements
- No maintenance required - lowering labor costs



# CC ARMOR RIGS/FORKS

The **CC Armor** series of kingpinless swivel and rigid caster rigs/forks are the heaviest-duty rigs available from Caster Connection. Available for 3" wide wheels, CC Armor rigs feature zinc coating over top of our (5/16") thickest steel legs, and large raceway (in the swivel version).

CC Armor is a great pairing option with 3" wide CC Stout wheels, and other great products from Caster Connection.



Confidence. Control. Armor.



## Kingpinless plate mount swivel rigs:

A plate mount, swivel section which is held together without a rivet or nut and bolt kingpin. Kingpinless swivel sections are held together by a single row of ball bearings which are contained by a full contact interlocking swivel raceway design.

## Ideal application(s):

- Manual Push/Pull
- Towlines
- Conveyor Applications
- Drag Lines
- Maintenance Carts
- Utility Carts
- Dollies
- Racks
- Retail Fixtures



# CC AXIS RIGS/FORKS

The **CC Axis** maintenance-free swivel rig from Caster Connection reduces push/pull to levels never before thought possible.

The rig's **dual raceway nearly eliminates the push/pull force spike** that normally occurs when attempting to get the caster into a trailing position, which is the most common ergonomic push/pull issue in heavy manufacturing and other environments. The CC Axis can also be towed in smooth, low-speed applications.



Pictured: CC Axis caster rig paired with CC Apex caster wheel

The CC Axis swivel caster utilizes the same dual bearing system found in the innovative **CC Peak** maintenance-free swivel rig, but compounds the effectiveness by adding an additional raceway to further reduce push/pull on heavy weight applications.

The CC Axis is constructed of heavy-duty 5/16" steel and contains a precision thrust bearing and tapered bearing combination for even distribution of loads and smooth swiveling action.

Looking to reduce push/pull for heavy weight applications while avoiding damage to flooring? Look no further than the CC Axis caster paired with the **CC Apex** caster wheel!

**Contact Caster Connection for more information and pairing alternatives.**

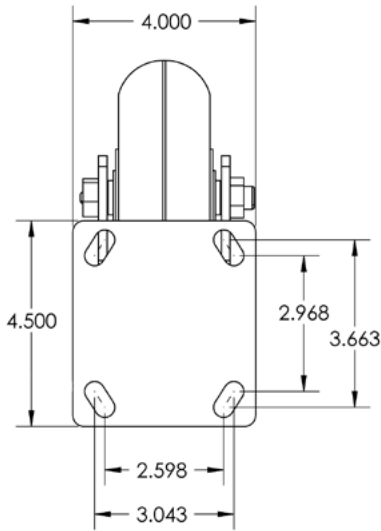


# TOP PLATES AND STEMS

## 2" Wide Top Plate Options

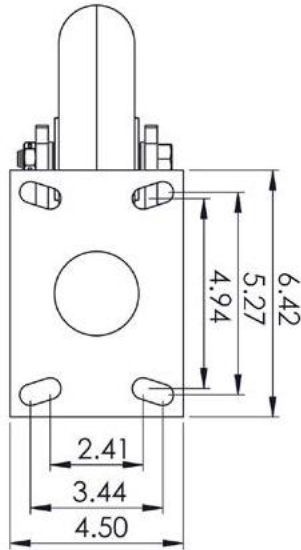
### Standard Top Plate

4" x 4-1/2"



### Top Plate 2

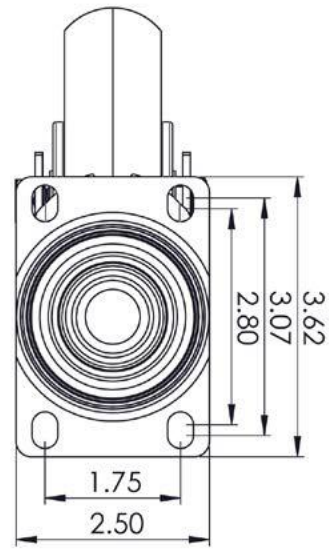
4-1/2" x 6-1/4"



## 1-1/4" Wide Top Plate

### Standard Top Plate

2-3/8" x 3-5/8"



## 1-1/4" Wide Stem Options

### Stem Options

Various Sizes Available - Contact Us

### Expanding Adapter

Various Sizes Available - Contact Us



# BRAKE TYPES

## 2" Wide Brakes

**VB**

Side Lock / Vertilock Brake



Stops wheel from rotating, engaged on the side of the wheel

**FCB**

Tech Lock/Face Contact Brake



Stops wheel from rotating, engaged on the front of the wheel

**BIB**

Built-In-Brake



Stops wheel from rotating, engaged on the side of the wheel

**Hand-Activated  
4-Position Swivel Lock**



Swivel locks allow the conversion of a swivel caster into a rigid caster, for pushing/pulling carts long distances in a straight line. Lock is activated by pulling on ring by hand.

**Foot-Activated  
4-Position Swivel Lock**



Stops wheel from rotating, and prevents rig from swiveling, engaged on the front of the wheel

**Ideal Stop**

Total Lock Brake



Stops wheel from rotating, and prevents rig from swiveling. Brake pedal remains in the same position at all times.

## 1-1/4" Wide Brakes

**VB**

Side Lock / Vertilock Brake



Stops wheel from rotating, engaged on the side of the wheel

**TL**

Total Lock Brake



Stops wheel from rotating, and prevents rig from swiveling, engaged on the front of the wheel

# CC VINTAGE

Caster Connection's **CC Vintage** line of casters offers the rustic look of an antique, with the functionality and mobility of a brand new caster. These casters are designed for aesthetic purposes to complement furniture and fixture pieces. Our vintage casters are available in a variety of colors, depending on wheel type - ranging from matte black, to classic raw finish, to pink, and other bright tones!

CC Vintage casters are available in 4", 5", 6", and 8" wheel diameters, with options of classic cast iron\*, black rubber, or non-marking black polyurethane tread.

\*Only the cast iron wheels can be finished in non-black colors.



## VINTAGE WHEEL TYPE



### Cast Iron

Our five-spoked cast iron wheels come standard in black, but can be painted to achieve a variety of different colors. The wheels are strong and sturdy with a steam punk-esque look, carrying weight capacities of 260 to 1,200 lbs. per wheel. Because the wheel is composed of cast iron, caution should be used when in use on tile floors or any sensitive surface.



### Polyurethane on Cast Iron

The five-spoked polyurethane on cast iron\* was wheel was created as an alternative to the cast iron wheel. Carrying up to 300 lbs. per wheel, while maintaining the rustic DIY-centric look, they're able to roll easily and safely on hardwood floors or tile. They're also non-marking, making them perfect for indoor use.

\*Due to the polyurethane tread, polyurethane on cast iron wheels are only offered with a black finish.



### Rubber on Cast Iron

The rugged rubber on cast iron\* wheel is a great 2" wide wheel that can handle weight loads from 300 to 500 lbs. For those looking for an interesting appearance, these wheels are available with a red or vintage black core, while the rigid caster versions have an optional "V" style fork option.

\*Due to their rubber tread, rubber on cast iron wheels are only offered with a black finish.

Each vintage caster is unique, with different details and may include intentional imperfections (i.e. nicks, scrapes, rust/corrosion, blemishes) for aesthetic purposes.



# FINISHING

Caster Connection's in-house facilities offer the ability to produce a wide range of colors for all vintage rigs/forks and select wheels. Each caster is finished by hand to ensure the highest level of quality and accuracy.

## MOUNTS

CC Vintage casters come in a stationary, rigid style or as a swivel, turning style rig. Swivel casters have a variety of different mounting options.

- Top plate is the classic mounting type, requiring a 5/16" or 3/8" bolt to attach.

- Grip ring is ideal for office chairs - or add a round plastic socket for wooden applications. Metal tube adapters are also available.

- Threaded stems are ideal for screw-in applications or applications too small for a top plate.

- Expanding adapter kits are available to fit a variety of different diameter hollow legs and tubes.

\*Side lock brakes are also available on all sizes of CC Vintage swivel casters, and some rigs.

## FORKS

- Rigid rigs/forks are available in three different styles:

- The 1-1/4" and 2" wide rigs (4" diameter wheel and up) come in a "V" style (with a V-shaped cut-out).

- The 1-1/4" wide rig (5" diameter wheel and smaller) are available in a standard branded CC Vintage rig.

- 2" wide rig (4" diameter wheel and up) are available in our "vintaged", sturdy CC Crest rig.

\*Rigid rigs are only available with a top plate.

- Swivel rigs/forks are available in 1-1/4" and 2" wide. The 2" wide version is only available with a top plate. The 1-1/4" option is available with top plates, grip stems, expandable adapters, and threaded stems.

## VALUE

Actual antique casters are expensive and unreliable because, well...they're old. How do you know that our CC Vintage casters are built to last? CC Vintage casters are new casters chemically treated to look aged, meant for industrial and commercial applications.

\*Each vintage caster is unique, with different details, and may include intentional imperfections (i.e. nicks, scrapes, rust/corrosion, and blemishes) for aesthetic purposes.

## BENEFITS

Sometimes you need to move stuff, and picking it up just isn't an option. CC Vintage casters can make your favorite repurposed or treasured findings mobile, but with an attractive, industrial, rustic, chic look. Want a steam punk, retro, or antique look? Caster Connection's CC Vintage line is what you need.

- Polyurethane on Cast Iron: the non-marking polyurethane tread protects floors from scuffs and scratches.

- Cast Iron: rugged enough for your tool chest or making your sweet new grilling station mobile.

- Rubber on Cast iron: mold-on rubber provides a cushioned ride.



# PRODUCT SPECS

## 1-1/4" WIDE CC VINTAGE CAST IRON WHEEL CHARTS



### CC Vintage 4" x 1-1/4" Wheel

Part #	Description	Diameter	Tread Width	Capacity
CCVINTAGE-4-3/8	4 X 1-1/4 Vintage Cast Iron Wheel	4"	1-1/4"	300 LBS.

### CC Vintage 5" x 1-1/4" Wheel

Part #	Description	Diameter	Tread Width	Capacity
CCVINTAGE-5-3/8	5 X 1-1/4 Vintage Cast Iron Wheel	5"	1-1/4"	300 LBS.

<b>Temperature Range</b>	-45 to +600
<b>Rolling Resistance</b>	Low
<b>Noise Output When Rolling</b>	High
<b>Floor Surface Presevation</b>	Good - If Stationary Poor - if Rolling Frequently
<b>Wheel Tread</b>	Flat Cast Iron
<b>Wheel Core</b>	Spoked Cast Iron
<b>Bearing</b>	Steel Sleeve
<b>Hub Length</b>	1-9/16"
<b>Inside Diameter: Wheel Bearing</b>	1/2"



# PRODUCT SPECS

## 2" WIDE CC VINTAGE CAST IRON WHEEL CHARTS



### CC Vintage 6" x 2" Wheel

Part #	Description	Diameter	Tread Width	Capacity
CCVINTAGE-6-1/2	6 X 2 Vintage Cast Iron Wheel	6"	2"	1,000 lbs.

### CC Vintage 8" x 2" Wheel

Part #	Description	Diameter	Tread Width	Capacity
CCVINTAGE-8-1/2	8 X 2 Vintage Cast Iron Wheel	8"	2"	1,200 lbs.

<b>Temperature Range</b>	-45 to +600
<b>Rolling Resistance</b>	Low
<b>Noise Output When Rolling</b>	High
<b>Floor Surface Preseveration</b>	Good - If Stationary Poor - if Rolling Frequently
<b>Wheel Tread</b>	Flat Cast Iron
<b>Wheel Core</b>	Spoked Cast Iron
<b>Bearing</b>	Roller
<b>Hub Length</b>	2-3/16"
<b>Inside Diameter: Wheel Bearing</b>	1/2" Spanner Bushing



# PRODUCT SPECS

1-1/4" WIDE CC VINTAGE POLYURETHANE ON CAST IRON WHEEL CHARTS



## CC Vintage 4" x 1-1/4" Wheel

Part #	Description	Diameter	Tread Width	Capacity
CCVINTAGE-PW-4-3/8	4 X 1-1/4 Vintage Polyurethane on Cast Iron Wheel	4"	1-1/4"	300 LBS.

## CC Vintage 5" x 1-1/4" Wheel

Part #	Description	Diameter	Tread Width	Capacity
CCVINTAGE-PW-5-3/8	5 X 1-1/4 Vintage Polyurethane on Cast Iron Wheel	5"	1-1/4"	300 LBS.

<b>Durometer</b>	95 Shore A (+/- 5)
<b>Temperature Range</b>	-40 to +180
<b>Rolling Resistance</b>	Low
<b>Noise Output</b>	Low
<b>Floor Surface Presevation</b>	Very Good
<b>Wheel Tread</b>	Polyurethane
<b>Wheel Core</b>	Spoked Cast Iron
<b>Bearing</b>	Steel Sleeve
<b>Hub Length</b>	1-9/16"
<b>Inside Diameter: Wheel Bearing</b>	1/2" Spanner Bushing



# PRODUCT SPECS

## 2" WIDE CC VINTAGE RUBBER TREAD WHEEL CHARTS



### CC Vintage 6" x 2" Wheel

Part #	Description	Diameter	Tread Width	Capacity
CCVINTAGE-RW-6-1/2	6 X 2 Vintage Rubber on Cast Iron Wheel	6"	2"	550 lbs.

### CC Vintage 8" x 2" Wheel

Part #	Description	Diameter	Tread Width	Capacity
CCVINTAGE-RW-8-1/2	8 X 2 Vintage Rubber on Cast Iron Wheel	8"	2"	600 lbs.

<b>Durometer</b>	80 Shore A (+/- 5)
<b>Temperature Range</b>	-40 to +180
<b>Rolling Resistance</b>	Low
<b>Noise Output</b>	Low
<b>Floor Surface Presevation</b>	Good
<b>Wheel Tread</b>	Rubber
<b>Wheel Core</b>	Spoked Cast Iron
<b>Bearing</b>	Roller Bearing
<b>Hub Length</b>	2-3/16"
<b>Inside Diameter: Wheel Bearing</b>	1/2" Spanner Bushing



# PRODUCT SPECS

## 1-1/4" WIDE CC VINTAGE CAST IRON CASTER CHARTS

### CC Vintage 4" x 1-1/4" Caster

Part #	Description	Diameter	Tread Width	Overall Height	Capacity
<b>CCVINTAGE-4R</b>	4 X 1-1/4 Vintage Black Cast Iron Rigid Caster	4"	1-1/4"	5-1/8"	300 lbs.
<b>CCVINTAGE-4R-V2</b>	4 X 1-1/4 Vintage Black Cast Iron Rigid Caster	4"	1-1/4"	5-1/8"	300 lbs.
<b>CCVINTAGE-4S</b>	4 X 1-1/4 Vintage Black Cast Iron Swivel Caster	4"	1-1/4"	5-1/8"	300 lbs.
<b>CCVINTAGE-4S-STEM3</b>	4 X 1-1/4 Vintage Black Cast Iron Swivel Caster	4"	1-1/4"	5-1/8"	300 lbs.
<b>CCVINTAGE-4S-EXP</b>	4 X 1-1/4 Vintage Black Cast Iron Swivel Caster	4"	1-1/4"	5-1/8"	300 lbs.
<b>CCVINTAGE-4S-GRIP-STEM</b>	4 X 1-1/4 Vintage Black Cast Iron Swivel Caster	4"	1-1/4"	5-1/8"	300 lbs.

### CC Vintage 5" x 1-1/4" Caster

Part #	Description	Diameter	Tread Width	Overall Height	Capacity
<b>CCVINTAGE-5R</b>	5 X 1-1/4 Vintage Black Cast Iron Rigid Caster	5"	1-1/4"	6-1/4"	300 lbs.
<b>CCVINTAGE-5R-V2</b>	5 X 1-1/4 Vintage Black Cast Iron Rigid Caster	5"	1-1/4"	6-1/4"	300 lbs.
<b>CCVINTAGE-5S</b>	5 X 1-1/4 Vintage Black Cast Iron Swivel Caster	5"	1-1/4"	6-1/4"	300 lbs.
<b>CCVINTAGE-5S-STEM3</b>	5 X 1-1/4 Vintage Black Cast Iron Swivel Caster	5"	1-1/4"	6-1/4"	300 lbs.
<b>CCVINTAGE-5S-EXP</b>	5 X 1-1/4 Vintage Black Cast Iron Swivel Caster	5"	1-1/4"	6-1/4"	300 lbs.
<b>CCVINTAGE-5S-GRIP-STEM</b>	5 X 1-1/4 Vintage Black Cast Iron Swivel Caster	5"	1-1/4"	6-1/4"	300 lbs.



<b>Rigs/Forks*</b>	Rigid
	"V" Style Rigid
	Swivel

<b>Wheel</b>	Cast Iron
<b>Bearing</b>	Plain Bore

<b>Brake and Other Options</b>	<ul style="list-style-type: none"> <li>- add "-VB" to end of part #</li> <li>*See page 39 for additional brake info</li> <li>Contact us or visit <a href="http://casterconnection.com">casterconnection.com</a> for other rig configurations.</li> </ul>
--------------------------------	--

<b>Top Plates</b>	2-3/8" x 3-5/8"
-------------------	-----------------

<b>Stem Options</b>	<ul style="list-style-type: none"> <li>- <b>Grip ring (7/16" x 1-3/8")</b> is ideal for office chairs - or add a round plastic socket for wooden applications. Metal tube adapters are also available.</li> <li>- <b>Threaded (2"-13 x 1-1/2")</b> stems are ideal for screw-in applications or applications too small for a top plate.</li> <li>- <b>Expanding adapter</b> kits are available to fit a variety of different diameter hollow legs and tubes.</li> </ul>
---------------------	---

<b>Expanding Adapter Sizes</b>	<ul style="list-style-type: none"> <li>- 3/4"</li> <li>- 7/8"</li> <li>- 1"</li> <li>- 1-1/8"</li> <li>- 1-3/8"</li> <li>- 1-1/2"</li> <li>- 1-7/8"</li> </ul>
--------------------------------	--

<b>4" x 1-1/4" Swivel Radius</b>	3-1/2"
<b>5" x 1-1/4" Swivel Radius</b>	4"

# PRODUCT SPECS

## 2" WIDE CC VINTAGE CAST IRON CASTER CHARTS

### CC Vintage 6" x 2" Caster

Part #	Description	Diameter	Tread Width	Overall Height	Capacity
<b>CCVINTAGE-6R</b>	6 x 2 Vintage Black Cast Iron Rigid Caster	6"	2"	7-1/2"	1,000 lbs.
<b>CCVINTAGE-6R-V2</b>	6 x 2 Vintage Black Cast Iron Rigid Caster	6"	2"	7-1/2"	1,000 lbs.
<b>CCVINTAGE-6S</b>	6 x 2 Vintage Black Cast Iron Swivel Caster	6"	2"	7-1/2"	1,000 lbs.

### CC Vintage 8" x 2" Caster

Part #	Description	Diameter	Tread Width	Overall Height	Capacity
<b>CCVINTAGE-8R</b>	8 x 2 Vintage Black Cast Iron Rigid Caster	8"	2"	9-1/2"	1,200 lbs.
<b>CCVINTAGE-8R-V2</b>	8 x 2 Vintage Black Cast Iron Rigid Caster	8"	2"	9-1/2"	1,200 lbs.
<b>CCVINTAGE-8S</b>	8 x 2 Vintage Black Cast Iron Swivel Caster	8"	2"	9-1/2"	1,200 lbs.



<b>Rigs/Forks*</b>	Rigid
	Swivel
	"V" Style Rigid

<b>Wheel</b>	Cast Iron
<b>Bearing</b>	Roller

<b>Brake and Other Options</b>	- add "-VB" to end of part #
	*See page 39 for additional brake info Contact us or visit <a href="http://casterconnection.com">casterconnection.com</a> for other rig configurations.

<b>Top Plate</b>	4" x 4-1/2"
------------------	-------------

<b>6" x 2" Swivel Radius</b>	4.5625"
------------------------------	---------

<b>8" x 2" Swivel Radius</b>	6"
------------------------------	----

# PRODUCT SPECS

1-1/4" WIDE CC VINTAGE  
POLYURETHANE ON CAST IRON CASTER CHARTS

## CC Vintage Polyurethane on Cast Iron 4" x 1-1/4" Caster

Part #	Description	Diameter	Tread Width	Overall Height	Capacity
CCVINTAGE-PW-4R	4 X 1-1/4 Vintage Black Polyurethane on Cast Iron Rigid Caster	4"	1-1/4"	5-1/8"	300 lbs.
CCVINTAGE-PW-4R-V2	4 X 1-1/4 Vintage Black Polyurethane on Cast Iron Rigid Caster	4"	1-1/4"	5-1/8"	300 lbs.
CCVINTAGE-PW-4S	4 X 1-1/4 Vintage Black Polyurethane on Cast Iron Swivel Caster	4"	1-1/4"	5-1/8"	300 lbs.
CCVINTAGE-PW-4S-STEM3	4 X 1-1/4 Vintage Black Polyurethane on Cast Iron Swivel Caster	4"	1-1/4"	5-1/8"	300 lbs.
CCVINTAGE-PW-4S-EXP	4 X 1-1/4 Vintage Black Polyurethane on Cast Iron Swivel Caster	4"	1-1/4"	5-1/8"	300 lbs.
CCVINTAGE-PW-4S-GRIP-STEM	4 X 1-1/4 Vintage Black Polyurethane on Cast Iron Swivel Caster	4"	1-1/4"	5-1/8"	300 lbs.

## CC Vintage Polyurethane on Cast Iron 5" x 1-1/4" Caster

Part #	Description	Diameter	Tread Width	Overall Height	Capacity
CCVINTAGE-PW-5R	5 X 1-1/4 Vintage Black Polyurethane on Cast Iron Rigid Caster	5"	1-1/4"	6-1/4"	300 lbs.
CCVINTAGE-PW-5R-V2	5 X 1-1/4 Vintage Black Polyurethane on Cast Iron Rigid Caster	5"	1-1/4"	6-1/4"	300 lbs.
CCVINTAGE-PW-5S	5 X 1-1/4 Vintage Black Polyurethane on Cast Iron Swivel Caster	5"	1-1/4"	6-1/4"	300 lbs.
CCVINTAGE-PW-5S-STEM3	5 X 1-1/4 Vintage Black Polyurethane on Cast Iron Swivel Caster	5"	1-1/4"	6-1/4"	300 lbs.
CCVINTAGE-PW-5S-EXP	5 X 1-1/4 Vintage Black Polyurethane on Cast Iron Swivel Caster	5"	1-1/4"	6-1/4"	300 lbs.
CCVINTAGE-PW-5S-GRIP-STEM	5 X 1-1/4 Vintage Black Polyurethane on Cast Iron Swivel Caster	5"	1-1/4"	6-1/4"	300 lbs.



<b>Rigs/Forks*</b>	Rigid
	Swivel
	"V" Style Rigid

<b>Wheel</b>	Polyurethane on Cast Iron
<b>Bearing</b>	Steel Sleeve

<b>Brake and Other Options</b>	<ul style="list-style-type: none"> <li>- add "-VB" to end of part #</li> <li>*See page 39 for additional brake info</li> <li>Contact us or visit <a href="http://casterconnection.com">casterconnection.com</a> for other rig configurations.</li> </ul>
--------------------------------	--

<b>Top Plates</b>	2-3/8" x 3-5/8"
-------------------	-----------------

<b>Stem Options</b>	<ul style="list-style-type: none"> <li>- <b>Grip ring (7/16" x 1-3/8")</b> is ideal for office chairs - or add a round plastic socket for wooden applications. Metal tube adapters are also available.</li> <li>- <b>Threaded (2"-13 x 1-1/2")</b> stems are ideal for screw-in applications or applications too small for a top plate.</li> <li>- <b>Expanding adapter</b> kits are available to fit a variety of different diameter hollow legs and tubes.</li> </ul>
---------------------	---

<b>Expanding Adapter Sizes</b>	<ul style="list-style-type: none"> <li>- 3/4"</li> <li>- 7/8"</li> <li>- 1"</li> <li>- 1-1/8"</li> <li>- 1-3/8"</li> <li>- 1-1/2"</li> <li>- 1-7/8"</li> </ul>
--------------------------------	--

<b>4" x 1-1/4" Swivel Radius</b>	3-1/2"
<b>5" x 1-1/4" Swivel Radius</b>	4"



# PRODUCT SPECS

## 2" WIDE CC VINTAGE RUBBER TREAD CASTER CHARTS

### CC Vintage Rubber on Cast Iron 6" x 2" Caster

Part #	Description	Diameter	Tread Width	Overall Height	Capacity
<b>CCVINTAGE-6R-649-7</b>	6 x 2 Vintage Black Rubber on Cast Iron Rigid Caster	6"	2"	7-1/2"	550 lbs.
<b>CCVINTAGE-6R-649-7-V2</b>	6 x 2 Vintage Black Rubber on Cast Iron Rigid Caster	6"	2"	7-1/2"	550 lbs.
<b>CCVINTAGE-6R-649-7-V2-H</b>	6 x 2 Vintage Rubber on Red Steel Rigid Caster	6"	2"	7-1/2"	550 lbs.
<b>CCVINTAGE-6S-649-7</b>	6 x 2 Vintage Black Rubber on Cast Iron Swivel Caster	6"	2"	7-1/2"	550 lbs.



### CC Vintage Rubber on Cast Iron 8" x 2" Caster

Part #	Description	Diameter	Tread Width	Overall Height	Capacity
<b>CCVINTAGE-8R-649-7</b>	8 x 2 Vintage Black Rubber on Cast Iron Rigid Caster	8"	2"	9-1/2"	600 lbs.
<b>CCVINTAGE-8R-649-7-V2</b>	8 x 2 Vintage Black Rubber on Cast Iron Rigid Caster	8"	2"	9-1/2"	600 lbs.
<b>CCVINTAGE-8R-649-7-V2-H</b>	8 x 2 Vintage Rubber on Red Steel Rigid Caster	8"	2"	9-1/2"	600 lbs.
<b>CCVINTAGE-8S-649-7</b>	8 x 2 Vintage Black Rubber on Cast Iron Swivel Caster	8"	2"	9-1/2"	600 lbs.

<b>Rigs/Forks*</b>	Rigid
	Swivel
	"V" Style Rigid

<b>Wheel</b>	Cast Iron
<b>Bearing</b>	Roller Bearing

<b>Brake and Other Options</b>	- add "-VB" to end of part #
	*See page 39 for additional brake info Contact us or visit <a href="http://casterconnection.com">casterconnection.com</a> for other rig configurations.

<b>Top Plates</b>	4" x 4-1/2"
-------------------	-------------

<b>6" x 2" Swivel Radius</b>	4.5625"
------------------------------	---------

<b>8" x 2" Swivel Radius</b>	6"
------------------------------	----





# CASTER CONNECTION

KEEPING BUSINESS IN MOTION®



**Caster Connection** - developer, manufacturer, and distributor of innovative caster, wheel, and mobility solutions - was launched by Sally Hughes in 1987. Over thirty years after its launch, Caster Connection is dedicated to developing the most innovative and optimal solutions to deliver enhanced ergonomics, safety, and efficiency for every partner.

**Corporate Headquarters**  
Caster Connection, Inc.  
2380 International Street  
Columbus, Ohio 43228

P: 800.544.8978  
F: 888.852.7202  
sales@casterconnection.com  
www.casterconnection.com

Published March, 2017

